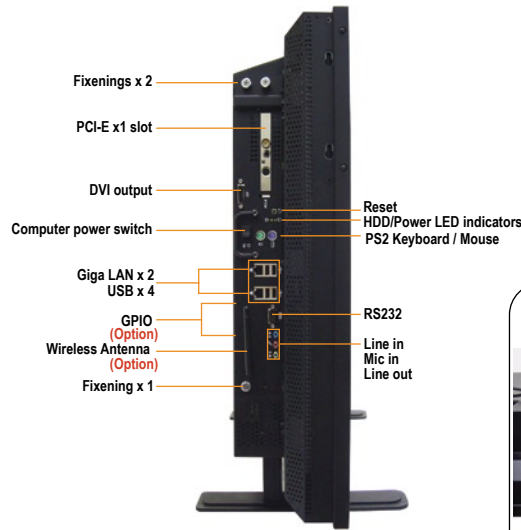
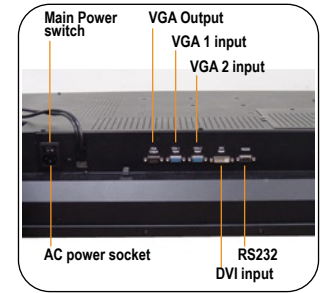


WMS-42PLUS (T)

All-in-one (Interactive) Digital Signage



I/O Ports



Bottom View

Features

- With or Without IR touch, bezel or Open frame ID design
- Deliberated System Integration Solution
- Easy to Swap Mother board / HDD
- Easy replacing bezel/bracket/touch screen/LCD
- IO connectors are easily accessed
- Stylish Looking (Thin /Ergonomic Design /Narrow front Bezel)
- Support 1920x1080 High Definition and 3D video content
- Intel Core 2 Dual CPU + Q965 + ICH8 Platform
- One PCI-Ex16 Slot for expansion
- One PCI-Ex1 Slot for expansion
- Dual Giga LAN
- PCI-E mini Card slots for expansion
- Video Capture / TV tuner / Wireless LAN
- VGA output for Multiple Display Solution

System

CPU	Socket 775, Intel Core 2 Duo Up to 2.66GHz (65W)
FSB	800MHz / 1066MHz
Chipset	Intel® Q965 chipset: •Intel Q965 Graphic Memory Controller Hub (GMCH) •Intel ICH8 I/O Controller Hub
BIOS	AWARD Flash BIOS
VGA	Intel Q965 integrated graphic subsystem (GMA3000)
Audio	Realtek ALC268 AC97 Audio Codec 2+2 channels
LAN	Realtek 8111B Giga LAN x 2
Memory	Two 240-pin DDRII 533/667/800 DIMM sockets (Dual channels), supports max.4GB system memory
I/O	ICH8
Serial ATA	Port x 4
GPIO	8-bit input, 8-bit output (5V) (pin head design in)
WDT	1~255 minutes, software programmable

Storage

HDD	3.5" SATAII HDD drive bay x 1
-----	-------------------------------

Display

Resolution (pixel)	Full HD (1920 x 1080)
Aspect Ratio	16:9
Active Area (mm)	930.24 x 523.26
Pixel Pitch (mm)	0.4845
Number of Colors	16.7M (8 bit)
View Angle (H/V)	178 / 178
Brightness (cd/m ²)	500
Contrast Ratio	2500:1
Response Time (ms) (at 25°C)	6.5 (gray to gray)
Power Consumption (W)	187
Interface	2ch LVDS
Supply Voltage (V)	12
CCFL life time	60,000 hours
Light Source	18 CCFL

Expansion

PCI-E mini card slot	x 1
PCI-Ex16	x 1 (full size, one slot)
PCI-Ex1	x 1 (full size, one slot)

Touch

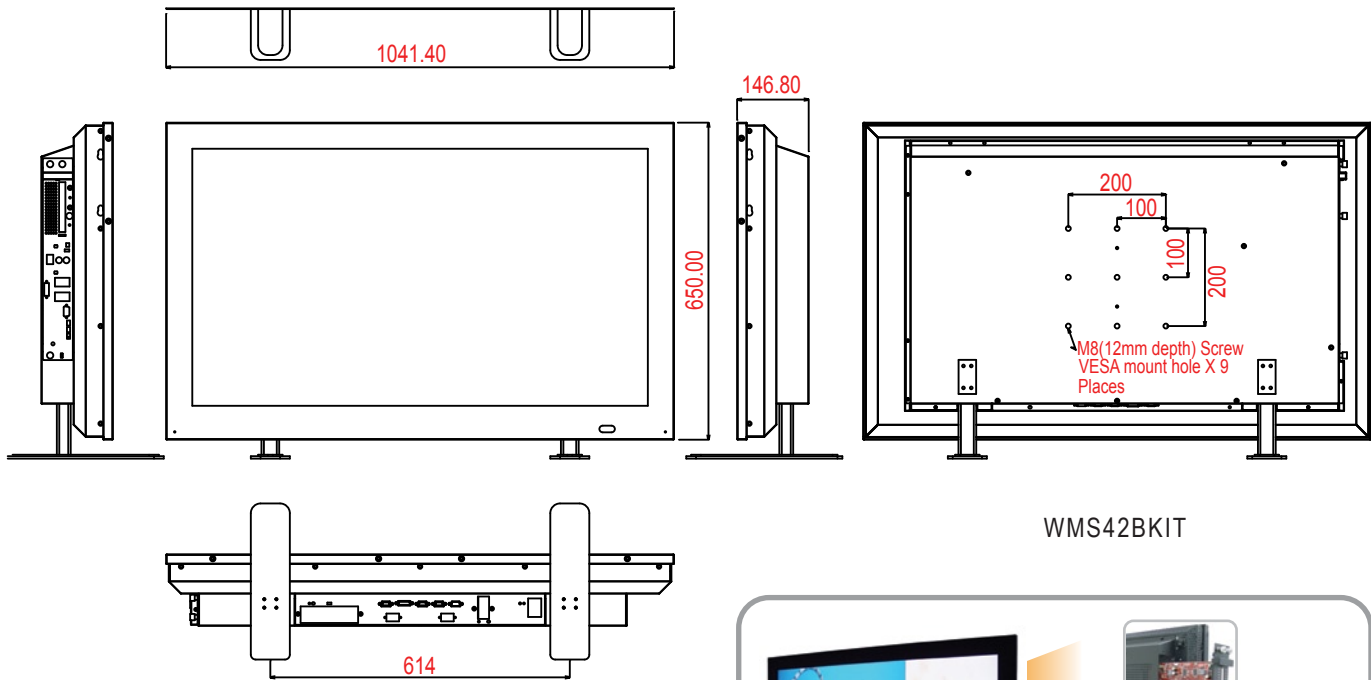
1. Infrared type
2. Light transmission: >92% Upto 100%
3. Vandal-Proof

Add-on Options

1. TV tuner function & Video capture function
2. Wireless LAN function: by PCI-E mini card
3. VGA card function
4. Stand x2
5. Bottom I/O cover
6. Side I/O cover
7. Web camera (1.3M pixels)
8. Speakers (5W+5W) (landscape, portrait)
9. Wall mount bracket (200 x 200 mmxmm)
10. Magnetic stripe card reader

All-in-one (Interactive) Digital Signage

Drawing



WMS42BKIT



Power

Power	AC-In connector x 1, with locker
Power Input	Direct AC connector, 100~240VAC, 50/60Hz
Power consumption	375W
Power Switch	Main switch to turn on/off AC power (at the bottom side) Switch to turn on/off mother board (at the external I/O of PC side)
Power LED	Power and HDD indicator at PC board external I/O side (LED colors: Power: Green / Orange: HDD accessing)

Mechanical & Environmental

Color	Standard: Black, Option: Silver
Operating Temperature:	0°C ~ 40°C
Storage Temperature	-20°C ~ 60°C
Operating Humidity	10 ~ 80%
Storage Humidity	10 ~ 80%
Noise level under 38 dB	

External I/O

USB	USB 2.0 x 4 (external x 4, internal x 4)
COM	RS232 x 1 (external: RS-232 x 1, internal RS-232/422/485x1)
LAN	RJ-45 x 2 (Gigabit Ethernet)
KB/Mouse	PS/2 Keyboard x1 & Mouse x 1
Audio	Line-in, Mic-in, Line out audio jacks
DVI-D output	x 1
IEEE1394 Fire wire	x 1(optional)
GPIO connector	(optional)
VGA output	x 1
VGA input	x 2
DVI-I input	x 1
RS232	x 1

Dimensions and Weights

Description	WMS-42PLUSBK	WMS-42PLUSBKIT	WMS-42PLUSBKTG	WMS-42PLUSOK	WMS-42PLUSOKIT	WMS-42PLUSOKTG
Dimensions (with stand) mm (W) x mm (H) x mm (D)	1026.4x681.3x320	1041.4x689x320	1041.4x689x320	1045.6x691x320	1060.6x698.3x319.4	1060.6x698.3x319.4
Dimensions (without stand) mm (W) x mm (H) x mm (D)	1026.4x630.5x129.1	1041.4x650x146.8	1041.4x650x146.8	1045.6x649.6x128.1	1060.6x669.1x145.7	1060.6x669.1x145.7
Weight (with stand)	42	49.5	47	42	49.5	47
Weight (without stand)	36	43.5	41	36	43.5	41

Ordering information

1. WMS-42PLUSBK(bezel + black body)-C2D2.13G CPU-512M RAM-80G HDD
2. WMS-42PLUSBKIT(bezel + black body + IR touch)-C2D2.13G CPU-512M RAM-80G HDD
3. WMS-42PLUSOK(Open frame + black body)-C2D2.13G CPU-512M RAM-80G HDD
4. WMS-42PLUSOKIT(Open frame + black body + IR touch)-C2D2.13G CPU-512M RAM-80G HDD

1. Fanless Panel PC

2. Medical All-in-one Solution

3. Engine Box

4. All-in-one Digital Signage Solution

5. XPe Solution

6. Remote Device Management (WRDM)