

Showcase Touch

Shopping Window Interactive Digital Signage



WMS-42PLUS2 Showcase Touch

Features

- Touch activated through a projective screen (Shopping window glass)
- Maximum 15mm sensing distance
- Intel Core 2 Dual CPU + Q965 + ICH8 Platform
- Compact and low noise design
- One PCI-Ex16 Slot for expansion
- One PCI-Ex1 Slot for expansion
- Dual Giga LAN
- PCI-E mini Card Extension
- Video Capture / TV tuner / Wireless LAN (option)
- Support High Definition content & 3D application
- Easy to swap PC board and option kits
- Easy to pack, carton dimensions are small
- Stylish Looking (Thin / Ergonomic Design / Narrow front Bezel)
- Noise level under 38 dB

System

CPU	Socket 775, Intel Core 2 Duo Up to 2.66GHz (65W)
FSB	800MHz / 1066MHz
Chipset	Intel® Q965 chipset: •Intel Q965 Graphic Memory Controller Hub (GMCH) •Intel ICH8 I/O Controller Hub
BIOS	8Mb AWARD Flash BIOS
VGA	Intel Q965 integrated graphic subsystem (GMA3000)
Audio	Realtek ALC268 AC97 Audio Codec 2+2 channels
LAN	Realtek 8111B Giga LAN x 2
Memory	Two 240-pin DDRII 533/667/800 DIMM sockets (dual channels), supports max. 4 GB system memory
I/O	ICH8
Serial ATA	Port x 4
GPIO	8-bit input, 8-bit output (5V) (pin head design in)
WDT	1~255 minutes, software programmable
Photo sensor for brightness control	

Expansion

PCI-E mini card slot	x 1 ((for wireless card))
PCI-Ex16	x 1 (full size, one slot)
PCI-Ex1	x 1 (full size, one slot)

Display

Resolution (pixel)	Full HD (1920 x 1080)
Aspect Ratio	16:9
Active Area (mm)	930.24 x 523.26
Pixel Pitch (mm)	0.4845
Number of Colors	16.7M (8 bit)
View Angle (H/V)	178 / 178
Brightness (cd/m²)	500
Contrast Ratio	2500:1
Response Time (ms) (at 25°C)	6.5 (gray to gray)
Interface	2ch LVDS
CCFL life time	60,000 hours
Light Source	18 CCFL

Storage

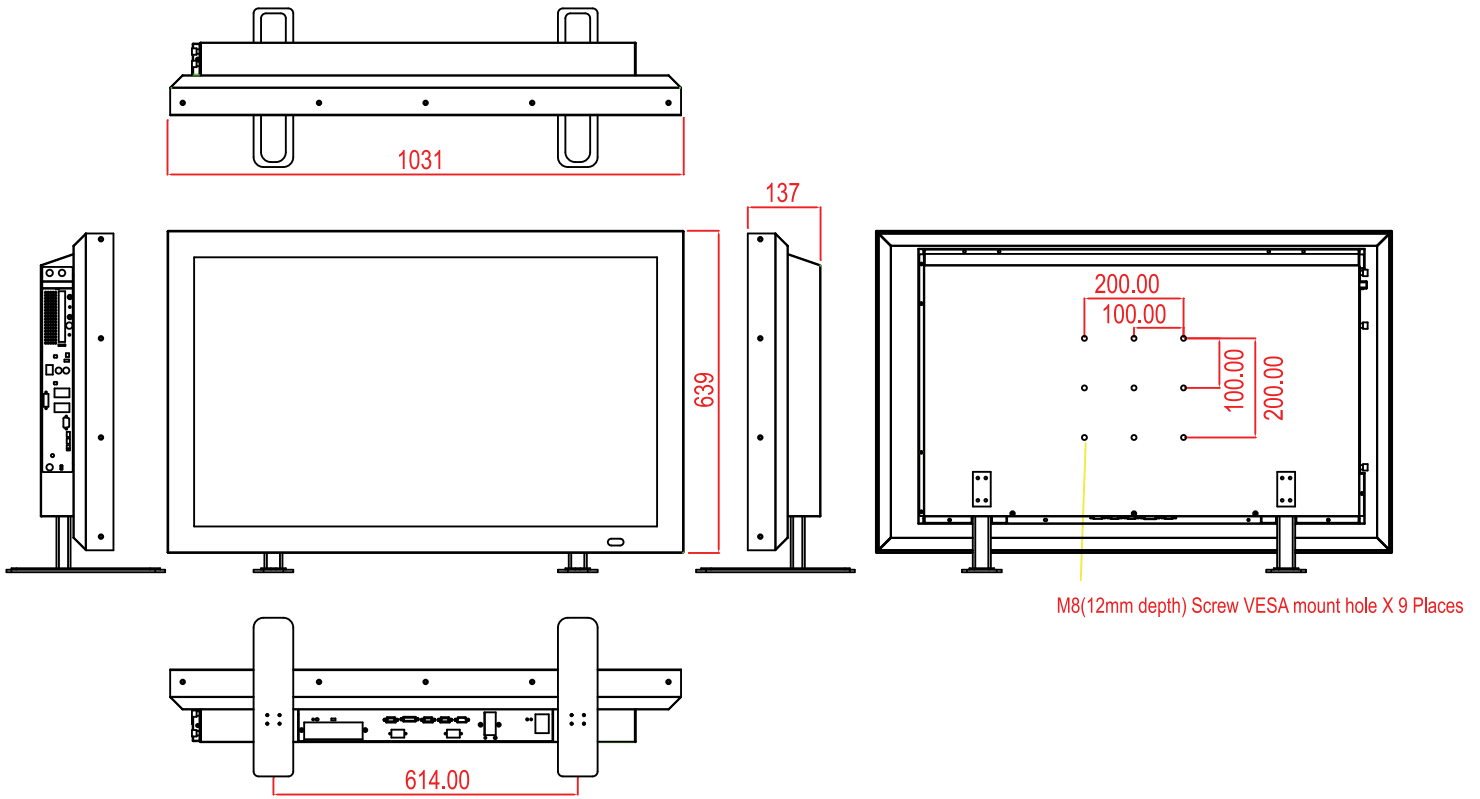
HDD	3.5" SATAII HDD drive bay x 1 With tray for easy replacement
------------	---

Touch

Maximum sensing distance	15mm
Sensor	Glass with embedded micro-fine sensing array
Resolution	<1 mm
Speed of Response	<10 ms
Positional Accuracy	<1.5% of reported position in recommended viewing area.
Optical Resolution	>4 lines/mm
Light Transmission	>90%
Haze	<3% (Gardner Haze)
Resistance to Contamination	Sensing media protected by glass.
Water Resistance	Unaffected by water droplets or condensation
Immunity to Damage	Glass surface with no moving parts
Stylus Type	Finger, gloved hand
Hardness	Glass hardness – Mohs 7

Power

Power	AC-In connector x 1, with locker
Power Input	Direct AC connector, 100~240VAC, 50/60Hz
Power consumption	Maximum 375W
Power Switch	Main switch to turn on/off AC power (at the bottom side) Switch to turn on/off mother board (at the external I/O of PC side)
Power LED	Power and HDD indicator at PC board external I/O side (LED colors: Power: Green / Orange: HDD accessing)



Mechanical & Environmental

Color	Standard: Black, Option: Silver
Operating Temperature:	-20°C ~ 40°C
Storage Temperature	-30°C ~ +70°C
Operating Humidity	90%RH @ 40°C
Storage Humidity	90%RH @ 40°C

Add-on Options

1. TV tuner & Video capture card
2. Wireless LAN card
3. VGA card function
4. Stand x2
5. Bottom I/O cover
6. Side I/O cover
7. Web camera (1.3M pixels)
8. Speakers (5W+5W) (landscape or portrait)
9. Wall mount bracket (200 x 200 mmxmm)
10. Magnetic stripe card reader

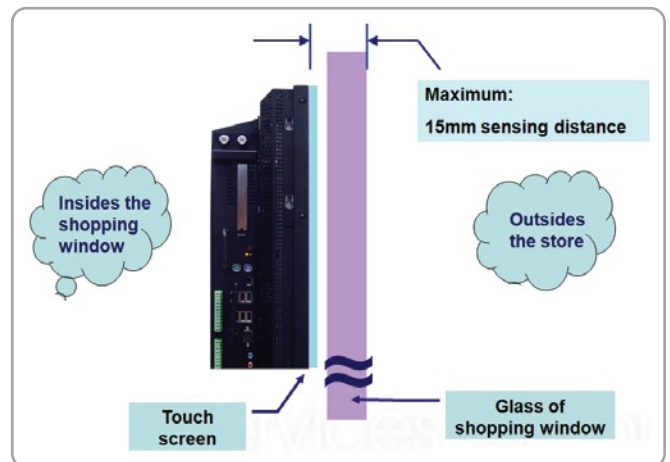
Dimensions and Weights

Standalone	WMS-42PLUS2 BKPC
Weight (no stand) kg	46.0
Weight (with stand) kg	48.0
Dimensions (no stand) mm (W) x mm (H) x mm (D)	1031 X 639 X 137
Dimensions (with stand) mm (W) x mm (H) x mm (D)	1031 X 726 X 137

External I/O

USB	USB 2.0 x 4 (external x 4, internal x 4)
COM	RS232 x 1 (external: RS-232 x 1, internal RS-232/422/485x1)
LAN	RJ-45 x 2 (Gigabit Ethernet)
KB/Mouse	PS/2 Keyboard x1 & Mouse x 1
Audio	Line-in, Mic-in, Line out audio jacks
DVI-D output	x 1
IEEE1394 Fire wire	x 1(optional)
GPIO connector	8 in 8 out (option)
VGA output	x 1
VGA input	x 2
DVI-I input	x 1
RS232	x 1

The Theory



Ordering information

1. WMS-42PLUS2BKPC(black body)-C2D2.6G CPU-1G RAM-80G HDD