



Product Change Notice

PCN NO: G08-00000050

Issue Date: 7th August, 2023

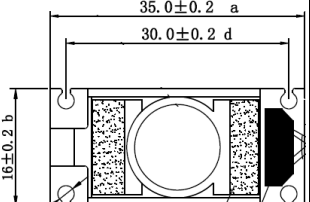
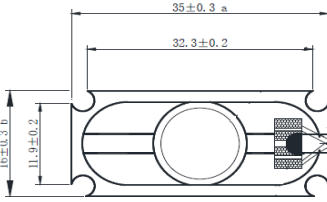
Product(s) affected:

Model Name	Description
WMP-22F & WMD-223	Speaker change

Reasons of Change:

Due to source issue of the Diaphragm of Speaker, Vendor provide new speaker for WMP-22F & WMD-223

Description of Change:

	Before	After	Impact
Vendor PN	D0-0134-L-19L-GP-II	12SR2307241489	None
Impedance	4 Ω	4 Ω	None
Input Power	1.5W	1.5W	None
Resonant Frequency	670Hz	670Hz	None
Dimension			Need change new bracket for speaker

Impacts on Quality or Reliability:

QA: None

Customer Impacts and Recommended Actions:

None

Contact information:

sales_support@wincomm.com.tw

Sample Order/Implementation Date:

Ready to delivery date: 4th October /2023

Model Name	Part NO	Order to
As in product(s) affected list	Consult sales account manager for specific part number	sales_support@wincomm.com.tw

Customer Acknowledgement of Receive: Wincomm requests your acknowledgement of this notice. Please contact your sales manager to grant approval or further information. Wincomm will deem this change notice accepted unless specific accepted conditions are received via an email to your contact window within 30 days from the date of this notice issued.