

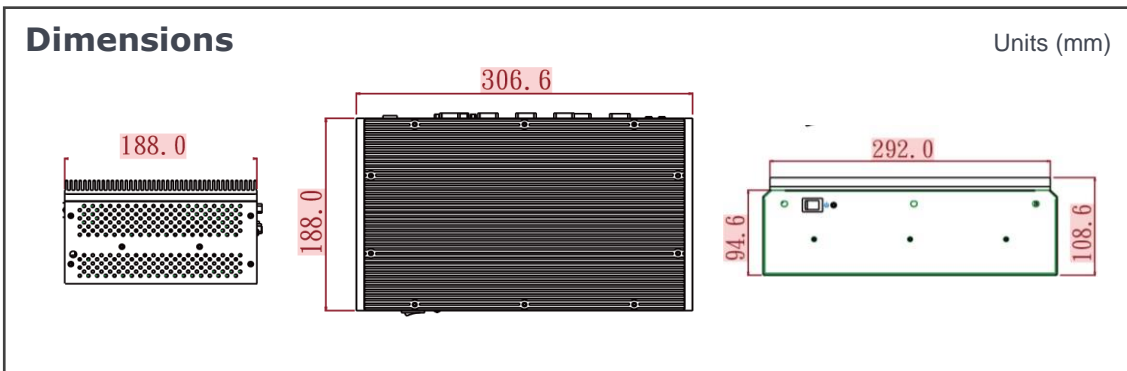


Features

- Intel® 12th Gen. Core i3/i5/i7 Box PC
- Highest Level EMC 4.0/ Safety 3.1 Certification Ready
- Support Intel® vPro by Optional i7/i5 CPU
- Proprietary Thermal design
- Rich 6x COM Ports for Control Applications
- Black Heatsink/ Housing as Option

Specification

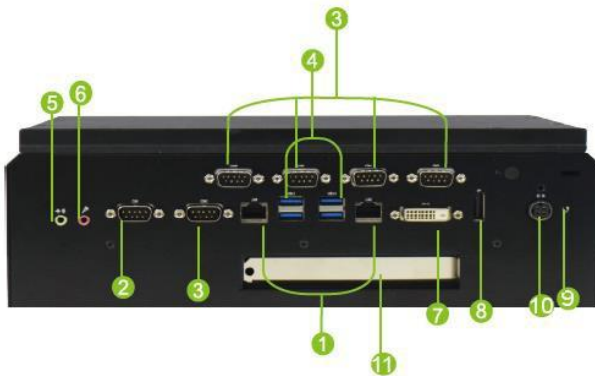
Product		WPC-1276
Main System	CPU / Chipset	12th generation Intel® Core i3/i5/i7 processor / Intel® Q670 Chipset
	Graphic	Intel® UHD Graphics 730
	RAM	2 x 260-pin DDR4 SO-DIMM, non-ECC, up to 64GB
	OS Support	Win11
I/O Ports	USB	USB 3.0 input x 4
	COM	RS232 x 5, RS232/422/485 x 1 <w/ auto flow control>
	Video output	DVI-D x 1, DP x 1
	Audio	Line-out, Microphone-in
	LAN	RJ45 x 2, Gigabit
	Control Hot Key	Power on/ off, reset
Storage & Expansion	Storage	2.5"SATA SSD drive bay x 1
	Expansion slot	PCI-E{x 16} expansion slot x 1, Mini PCIe x 2
Power	Power input	DC 9V~28V
	Power adapter	AC input 100 ~ 240V / 47 ~ 63 Hz / DC output 12V
	Power consumption	TBD
Environmental	Temperature	Operating Temperature 0~35°C Storage Temperature -20~60°C
	Humidity	Operating & Storage: 10 ~ 90%, non-condensing
	Shock/Vibration/Drop	5-500Hz, Acceleration : 1.0G / Operation:15g half sine, 11ms duration /3 Feet height free drop pass
	Cooling	Fan
Mechanical Characteristics	Housing	Aluminum heatsink and black coating housing
	Dimensions (Net: mm)	306.6 x 188 x 108.6
	Weights (Net: kg)	TBD (w/o power adapter)
Certification	CE/FCC/VCCI/Class B cULus Mark/ UL60601-1 EN60601-1/ ISO 14971/ IEC-62133 Energy star 6.1 Compliance	



Major Options	
Add On Parts	1. 802.11 ac/a/b/g/n WLAN + BT4.1 module (M.2 via Mini PCIe adapter with two antenna) 2. Equipotential terminal pin 3. TPM 2.0 module 4. mSATA module
Customized	1.USB 5,6,7,8...10

Order Information

Item	Description
WPC-1276(i3)	Core i3-12100, DDR4 64G RAM/ 512G SSD



- ① LAN x 2
- ② RS232/422/485
- ③ RS232 x 5
- ④ USB x 4 (USB 3.0)
- ⑤ Line out
- ⑥ Microphone-in
- ⑦ DVI-D
- ⑧ DP x 1
- ⑨ Reset
- ⑩ DC-in
- ⑪ PCI-E {x16} slot

