



### Features

- Class 1 Division 2, Class 2 Division 2, ATEX Zone 2, IECEX Certified
- Intel® 13th Gen. Core i5 / i7 Processor
- 21.5" Fanless Panel PC for Wide Temp -20~60°C Environments
- LAN USB COM M16 (EX Ec) Cable Gland & Waterproof M12 USB COM (EX ic) Connector
- Connector Panel for Easy Cable Installation
- Totally Sealed IP66 / NEMA 4X Enclosure
- 100% Water/Dust Proof Guarantee

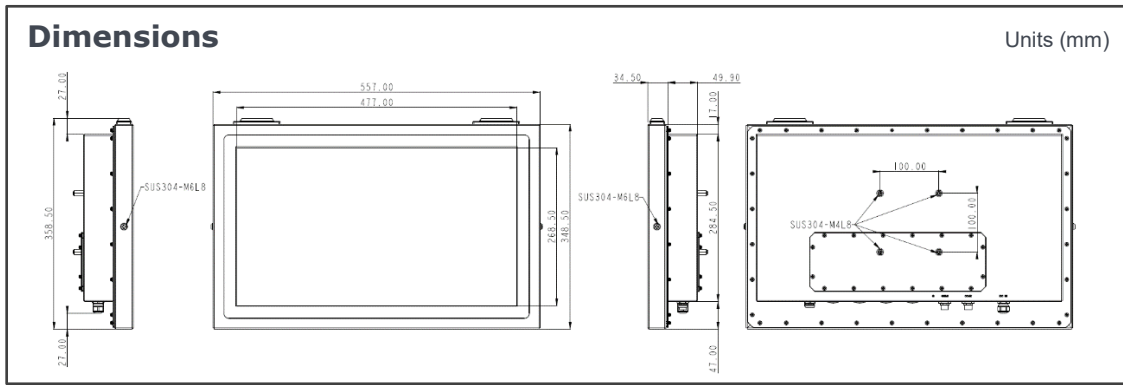
### Specification

Product		WTPE-9H66-22W		
Main System	CPU	FCBGA1356 13th generation Intel® Core i5 / i7 processor (15W max.)		
	Graphic	Intel® integrated Iris Xe Graphics		
	Memory	Two 5200 MHz DDR5 SODIMM socket support dual Channel, non-ECC, up to 64GB		
	OS Support (Optional)	Windows 10 IoT Enterprise LTSC / WIN 11 IoT Enterprise LTSC		
Display	Size	21.5" 16:9		
	Resolution (pixel)	1920 x 1080 (FHD)		
	Number of Colors	16.7M colors (RGB 6-bit + Hi FRC )		
	View Angle (H/V)	178(H) / 178(V)		
	Brightness(cd/m <sup>2</sup> , nit)	250 nits		
	Contrast Ratio	5000 : 1 (Typ)		
Touch Panel	Type	Full flat resistive touch panel		
	Light Transmission	80 ± 5%		
	Hardness / Lifetime	4H / 490,000 hours		
Storage & Expansion	Storage	1 X 2.5" SATA SSD		
	Expansion	1 x M.2 Type E		
I/O Ports/ Power	<b>Configuration</b>	<b>A</b>	<b>B/C*</b>	<b>D</b>
	<b>Swappable M12, 8pin (I.S. Output, Support EX ic, Extension Cable to Ex ic Devices)</b>	2 x COM for RS232	1 x USB2.0 1 x COM for RS232	2 x USB2.0
	<b>Cable Gland M16 (Max. Output x 4, Must be Installed by User)</b>	2 x USB 2.0 (EX ec) 2 x LAN (EX ec, i219LM for Vpro) 1 x COM for RS232/422/485 (EX ec)		
	Power Adapter	100W with 24V DC output, with 1.2M cable, PSE		
	Power / Consumption	DC 24V Input, M16 (EX ec, Must Be Installed by User)		
Environmental	Temperature	Operating Temperature -20 ~ 60 °C, without freezing (IEC60068-2-56, air flow cooling) Storage Temperature -20 ~ 60°C		
	Humidity	Operating & Storage: -10 ~ 90%, non-condensing		
	Water/Dust resistance	IP66 / NEMA4X		
Mechanical Characteristics	Housing	Stainless steel (SUS304), Chassis Type		
	Dimensions (Net: mm)	557 x 348.5 x 84.5		
	Weights (Net: kg)	13 kg		
	Mounting	VESA (100x100 mm x mm), side mount (M6*2)		
Certification (On Going)	EMC: FCC, CE (EMC), VCCI Class B, Canada ICES-003, Safety: IEC-62368 IECEX, Class 1 Division 2 Group A, B, C, D T4 (Config. A, B/C, D) ATEX Zone2 EX II 3G Ex ic ec IIC T4 Gc IP66 Class 2 Division 2 Group F, G (configuration A B/C, D), ATEX Zone22 EX II 3D EX tc IIIC T135C Dc IP66(compliance)			

\*Remark: Configuration B/C is defined/verified as different interface combination connected in certificate report.

# WTPE-9H66-22W

# Explosion Proof Panel PC

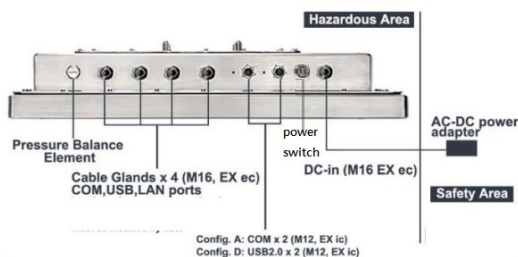


Major Options	
Options	<ul style="list-style-type: none"> <li>① WLAN + Bluetooth module (Wifi-7)</li> <li>② Windows 10 IoT Enterprise LTSC / WIN 11 IoT Enterprise LTSC</li> </ul>
Accessory	<ul style="list-style-type: none"> <li>① COM extension cable kit through M16 cable gland (2 meter length, external 9pin male type) (cable kit must be installed by user)</li> <li>② USB2.0 extension cable through M16 cable gland (2 meter length, external female type A) (cable kit must be installed by user)</li> <li>③ LAN extension cable through M16 cable gland (2 meter length, external female RJ45 type) (cable kit must be installed by user)</li> <li>④ Swappable M12 COM extension cable (2 meter length, M12 to PPC, external 9pin male type) (for configuration A,B/C)</li> <li>⑤ Swappable M12 USB2.0 port extension cable (0.3 meter length, M12 to PPC, external female type A connectors) (for configuration B/C, D)</li> <li>⑥ Swappable M12 DC power extension cable (1.2 meter length, M12, stripped and tinned wires on opposite end to DC 24V output power supply)</li> </ul>
Customization	<ul style="list-style-type: none"> <li>① Kit to support over 100 meter power supply length</li> <li>② Panel mounting by bezel kit (not co-exist with wireless function)</li> <li>③ 50 meter DC cable to support 50 meter power length</li> <li>④ 100 meter DC cable to support 100 meter power length</li> <li>⑤ Wall mount/ Table mount bracket</li> </ul>

## Order Information

Item	Cooling	Description
WTPE-9H66-22W (i5)	Fanless	21.5" Core I5-1345URE / DDR5 8G RAM/ 512G SSD/ Full flat R-touch
WTPE-9H66-22W (i7)	Fanless	21.5" Core i7-1365URE / DDR5 8G RAM/ 512G SSD/ Full flat R-touch

### Configuration A,D



### Configuration B/C

