

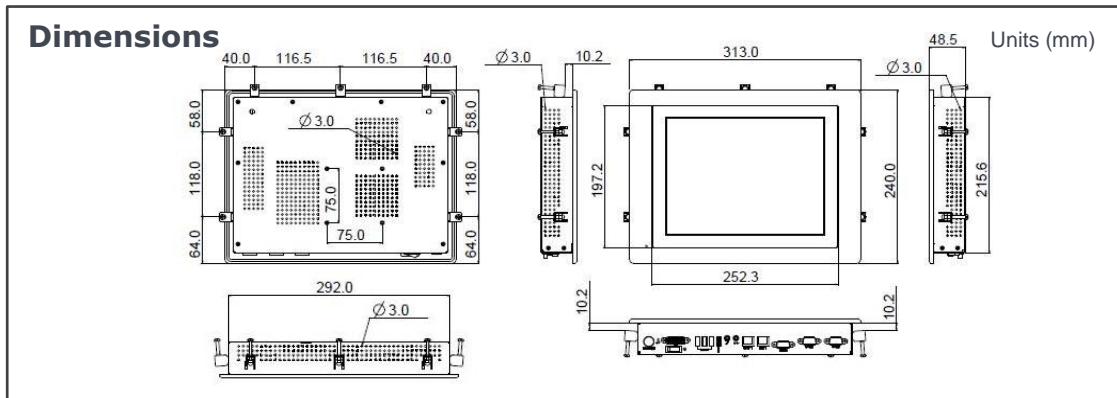


Features

- Intel® Bay Trail Fanless & Slim Panel PC
- 10" 800x600 (SVGA) LCD 230nits
- Low power and true fanless thermal solution
- Panel Mounted w/Full Flat Resis. or P-Cap Touch
- CE, FCC, VCCI Class B Certified
- Full Flat Design Easy Clean & IP66 Front
- Wide Range DC Input
- Optional WLAN with External Antenna

Specification

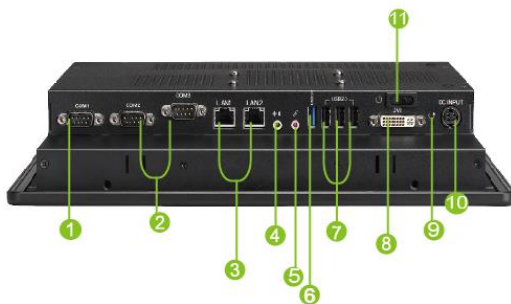
Product		WLP-7B20-10 BKFT	WLP-7B20-10 BKPT
Main System	CPU	Intel® Celeron J1900 2.0 GHz quad-core processor 10W	
	Graphic	Intel® integrated HD Graphics	
	Memory	two DDR3L SODIMM socket support up to 8GB	
	OS Support	Win 7pro, Win 8, Win 8.1 industrial, Win 10	
Display	Size	10", 4:3	
	Resolution (pixel)	800 x 600 (SVGA)	
	Number of Colors	262K, LVDS 6-bits	
	View Angle (H/V)	130(H) / 110(V)	
	Brightness(cd/m ² , nit)	230 nits	
	Contrast Ratio	400:1 (Typ)	
Touch Panel	Type	Resistive touch panel	Projected capacitive touch panel
	Light Transmission	80 ± 5%	90 ± 3%
	Hardness	4H	7H
	Lifetime	35M times	100M times
Storage & Expansion	Storage	2.5" SATA HDD up to 320 / 500GB w/Anti-Vibration Kit	
	Expansion	Mini PCIe x 2	
I/O Ports	USB	USB 3.0 x 1, USB 2.0 x 3	
	COM	2 X RS-232, 1 X RS-232/422/485	
	LAN	2 x RJ-45	
	Audio / Video	3.5mm phone jack connector x 2 (Line-out, Mic-in) / DVI-I x 1	
	Control Keys	Rear bottom: Power on /off	
Power	Power input	DC-in x 1 , 7 ~ 32V	
	Power adapter	AC 90 ~ 264V / 47 ~ 63 Hz / DC output 12V	
Environmental	Temperature	Operating Temperature: 0~50°C (12V DC , air flow cooling) Storage Temperature: -20~60°C	
	Humidity	Operating & Storage: 10 ~ 90%, non-condensing	
	Water/Dust resistance	IP66 at front	
Mechanical Characteristics	Housing	Front bezel is Aluminum, others are SECC with black coating	
	Dimensions (Net: mm)	313 (H) x 240 (V) x 48.5 (T)	
	Weights (Net: kg)	3.5 kg	
	Mounting	Panel mount, Optional Open frame / Chassis, VESA (75x75)	
Certification	CE/ FCC/ VCCI Class B, Canada ICES-003		



Major Options	
Add On Parts	1.Wireless or Wireless + BT kit , 2.Stainless front bezel, 3. Silver front bezel, 4.TPM 2.0, 5.Chassis type housing, 6. 2.5" SSD, 7.P-cap touch (BKPT)
Add On Cable	1.DC input power plug (black, 1.22m length), 2.Maximum length is 5.2 meters by 2x2m DC cables
Customized	1.Open frame housing, 2.Sunlight readable optical bonding, 3.LCD auto dimming, 4.LCD super dimming (Low brightness), 5.Storage door Solution

Order Information

Item	Touch	Description
WLP-7B20-10 (BKFT)	Full Flat Resis.touch	10" Celeron J1900/ DDR4 2G RAM/ 500G HDD
WLP-7B20-10 (BKPT)	Full Flat P-cap. touch	10" Celeron J1900/ DDR4 2G RAM/ 500G HDD



- ① RS232/422/485
- ② RS232 x 2
- ③ LAN x 2
- ④ Line out
- ⑤ Microphone-in
- ⑥ USB 3.0
- ⑦ USB 2.0 x 3
- ⑧ DVI-I output
- ⑨ Reset
- ⑩ DC-in
- ⑪ Power on/off

