



Features

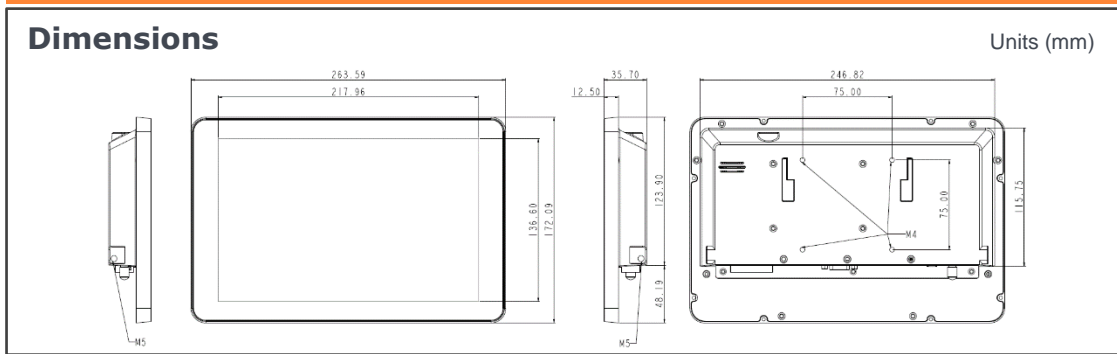
- HMI Panel PC w/ Class B Certified
- Low Power Consumption N2930 Processor
- 10.1" 1280X800 LCD w/P-Cap Touch
- Door Display w/ PoE & 9-36VDC Input.
- Plenty of I/O, 2 x LAN, 1 x RS232/422/485, 2 x USB3.0, 1 x HDMI, 1 x VGA
- Rear Power Bottom for Easy Control
- Compact Size Ideally for Limited Space

Specification

Product		WLP-7B21-10 CSPT
Main System	CPU	Intel® Celeron N2930 Processor
	Graphic	Intel® Integrated HD Graphics
	Memory	One 1333 MHz DDR3L SODIMM Socket, up to 8GB
	OS Support	Optional: Windows 7 embedded, Windows 7 pro Windows 8 embedded, Windows 8 industrial, Windows 10 (64bit)
Display	Size	10.1", 16:10
	Resolution (pixel)	1280 x 800 (WXGA)
	Number of Colors	16.7M Colors
	View Angle (H/V)	170(H) / 170(V)
	Brightness(cd/m ² , nit)	350 nits
	Contrast Ratio	800:1 (Typ)
Touch Panel	Type	Full Flat Projective Capacitive Multi Touch Panel
	Light Transmission	90 ± 3%
	Lifetime	3,500,000 Times
Storage & Expansion	Storage	mSATA Support 32GB, 64GB, 128GB
	Expansion	Mini-PCIe 52 pin Card-Edge Type, Half Size
I/O Ports	USB	2 x USB 3.0
	COM	1 x RS232/422/485
	LAN	2 x RJ-45
	Audio	Line Out, 1 x 3.5mm Phone Jack, 1 x 1.5W Speaker Output
	Video	1 x HDMI 1.4a (output) / 1 x VGA D-sub (output)
	Control Keys	Rear Bottom: Power on /off
Power	Power Input	DC-in 9~36V
	Power Adapter	External, 63 Watts, Universal 100 ~240V AC in, 12V DC Out
Environmental	Temperature	Operating Temperature: 12V DC Input 0~50°C (IEC60068-2-56, air flow cooling) Storage Temperature: -20~60°C
	Humidity	Operating & Storage: 10 ~ 90%, non-condensing
	Water/Dust resistance	IP65 at Front
Mechanical Characteristics	Housing	Sliver Bezel / Black Cover
	Dimensions (Net: mm)	263.3 (H) x 171 (V) x 35.7 (T)
	Weights (Net: kg)	1.25 kg
	Mounting	Chassis, VESA (75x75)
Certification	EMC: FCC part 18 class B, VCCI class B (PSU with PSE), CE-EMC IEC60601-1-2	

WLP-7B21-10 CSPT

Industrial Panel PC

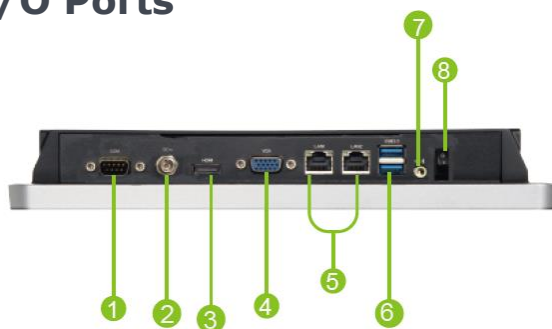


Major Options	
Add On Parts	<ul style="list-style-type: none"> ① 802.11 ac/a/b/g/n WLAN + Bluetooth 4.1 Module (not Coexist with PoE) ② TPM v2.0 by Module (not Coexist with PoE) ③ Operation system: Windows 7 embedded, Windows 7 pro (64bit, 32 bit), Windows 8 embedded, Windows 8 industrial (64bit), Windows 10 (64bit)
Customized	<ul style="list-style-type: none"> ① Webcam ② RFID ③ COM x 2 ④ Panel Mount Kit ⑤ White Rear Cover ⑥ Car Ignition Control ⑦ PoE Module Power Device (PD) follows IEEE802.3bt (40 Watt), not supports wake on LAN function (not coexist with wireless, COM port and TPM, remove AC-DC power adapter and DC input connector) ⑧ In wall mount bracket

Order Information

Item	Touch	Description
WLP-7B21-10 (CSPT)	P-Cap.Touch	10.1" N2930 1.83GHz / DDR3L 2G RAM / 64G mSATA HDD

I/O Ports



- ① COM
- ② DC-in
- ③ HDMI out
- ④ VGA out
- ⑤ LAN x 2
- ⑥ USB 3.0 x 2
- ⑦ Line out
- ⑧ Power switch

