

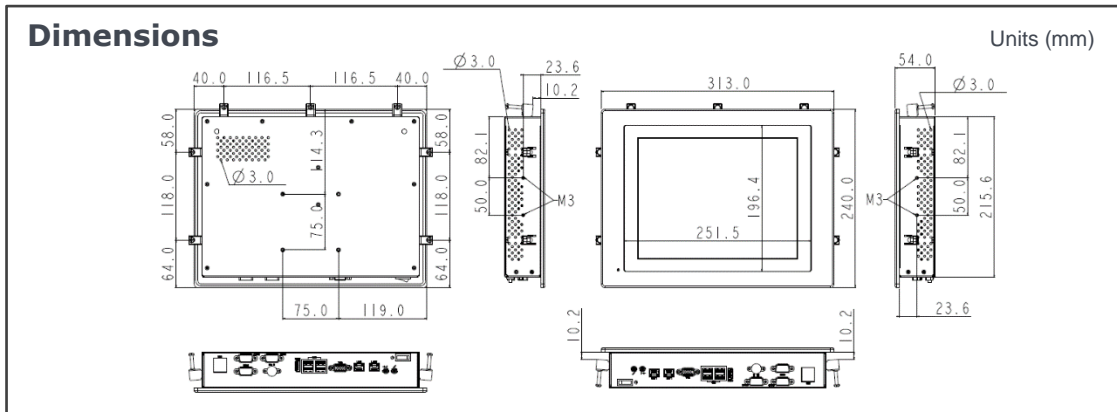


Features

- Intel® Apollo Lake J3455 1.5 Ghz
- 10" 800x600 (SVGA) LCD
- Low Power Fanless Thermal Solution
- Panel Mounted w/ Full Flat Resistive or P-Cap Touch
- CE, FCC, VCCI Class B Certified
- Full Flat Design Easy Clean & IP66 Front
- Wide Range DC Input
- Optional WLAN with External Antenna

Specification

Product		WLP-7E20-10 MBKFT	WLP-7E20-10 MBKPT
Main System	CPU	Intel® Apollo Lake Celeron J3455 Processor, 1.5 Ghz, 10W	
	Graphic	Intel® integrated HD 500 Graphics	
	Memory	Dual Channel Support 1867MHz DDR3L SODIMM X2, up to 8GB	
	OS Support	Win 10 (64 bit)	
Display	Size	10", 4:3	
	Resolution (pixel)	800 x 600 (SVGA)	
	Number of Colors	16.2M (RGB-8bits)	
	View Angle (H/V)	160(H) / 130(V)	
	Brightness(cd/m ² , nit)	230 nits	
	Contrast Ratio	500:1 (Typ)	
Touch Panel	Type	Full Flat Resistive Touch Panel (Single Touch)	Full Flat Projected Capacitive Touch Screen (Multi Touch)
	Light Transmission	80 ± 5%	>=86%
	Hardness	≥3H	>=7H
	Lifetime	35M times	100M times
Storage & Expansion	Storage	2.5" SATA HDD up to 500GB w/Anti-Vibration Kit, Optional M.2 (KEY M, 2242/2260) SSD X 1	
	Expansion	M.2 (KEY E, 2230) PCIe x 1 (Shared USB 2.0 x 1), Mini PCIe x 1(Shared USB 2.0 x 1)	
I/O Ports	USB	USB 3.0 x 4	
	COM	RS-232 x 2, RS-232/422/485 x 1	
	LAN	RJ-45 x 2	
	Audio / Video	3.5mm phone jack x 2 (Line-out, Mic-in) / HDMI 1.4b (output)X 1, VGA X 1	
	Control Keys	Rear bottom: Power on /off	
Power	Power input	DC-in x 1 (Jack with locker), DC19 ~ 24V	
	Power adapter	60 Watts,100 ~240V AC in, 19V DC out, 3.15A (PSU with PSE)	
Environmental	Temperature	Operating Temperature: 19V DC Input 0~45°C by HDD (air flow cooling), 19V DC Input 0~50°C by SSD (air flow cooling) Storage Temperature: -20~65°C	
	Humidity	Operating & Storage: 10 ~ 90%, non-condensing	
	IP / IK resistance	IP66 at front, IK05	
Mechanical Characteristics	Housing	Front bezel is Aluminum, others are SECC with black coating	
	Dimensions (Net: mm)	313 (H) x 240 (V) x 48.5 (T)	
	Weights (Net: kg))	3 kg	
	Mounting	Panel mount, VESA (75x75)	
Certification	CE / VCCI / FCC Class B, Canada ICES-003		



Major Options	
Add On Parts	<ol style="list-style-type: none"> 1. Wireless and BT kit (2 ant), 2. Stainless front bezel, 3. Silver front bezel, 4. USB 2.0 x 2, 5. 2.5" SSD
Add On Cable	1. Maximum length is 7.2 meters by 3x2m DC cables
Customization	<ol style="list-style-type: none"> 1. Storage door Solution 2. Chassis type housing 3. Open frame housing 4. Sunlight readable by 1000 nit LCD + optical bonding (Impact protection level: IK08) 5. M.2 SSD

Order Information

Item	Touch	Description
WLP-7E20-10 (MBKFT)	Full Flat Resis.touch	10" Celeron J3455/ DDR3 4G RAM/ 500G HDD
WLP-7E20-10 (MBKPT)	Full Flat Pcap.touch	10" Celeron J3455/ DDR3 4G RAM/ 500G HDD

