

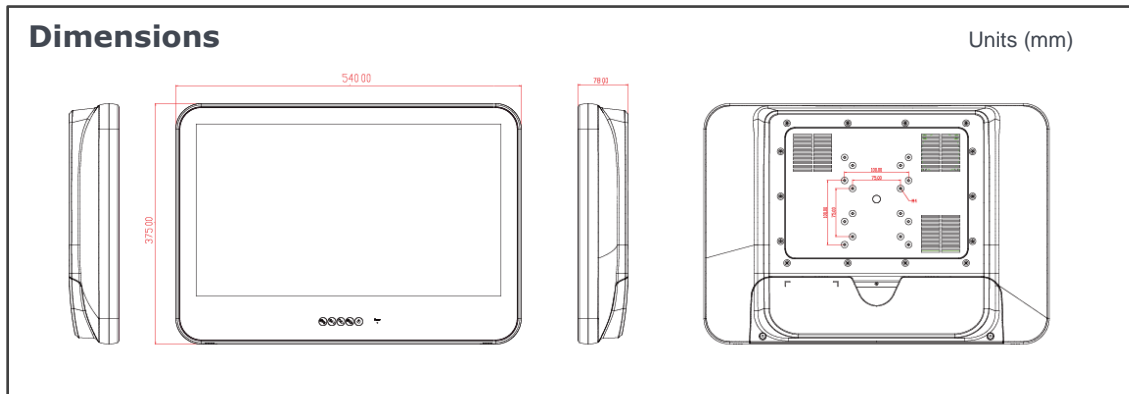


Features

- 21.5"W FHD VA type 8-bit wide viewing angle LCD panel
- Projected capacitive 10-point multi-touch panel
- Hospital white plastic housing with anti-bacteria treatment
- Front full-flat bezel-less design w/ user control keys
- Front IP65 ingress protection & fanless cooling
- Built-in two 1.5-watt speakers & multiple video inputs
- Medical EMC certification for whole system & medical EMC & Safety certifications for power adaptor
- Customization for protection glass

Specification

Model	WMD-223
Display Size	21.5" wide VA type LCD (16:9)
Display	1920 x 1080 (Full HD), 16.7M colors (MVA, 8 bit), 178(H) / 178(V) Viewing Angle, 250 nits, CR:3000 : 1 (Typ.), Anti-glare surface, LED backlight 30K hours life (min.)
Touch Screen	Full flat projective capacitive 10-point touch panel / Light Transmission: 90% ± 3% / Hardness: 7H pencil, pressure 750g/45° / Life: 100M times
USB	USB2.0 x 1 (for touch)
Audio	Line-In, Integrated 1.5-watt speaker x2 (housing bottom side)
Video	DVI-D x 1, DP x 1, Video-in: HDMI 1.4a x 1
Control Key	Power on-off, Menu, Auto, Volume up, Volume down/mute
Power Input	DC-In
Power Adapter	AC input 90 ~ 264V / 47 ~ 63 Hz / DC output 12V, 63W universal, With 1.2m Cable
Cooling	Fanless
Environmental	Operating Temperature: 0~45°C (chamber) / Storage Temperature: -20~60°C Operating & Storage: 10 ~ 90%, non-condensing
Housing	Plastic white color with anti-bacterial treatment / Front full-flat bezel-less design with IP65 protection / IO cover
Dimensions (Net)	540.0mm (H) x 375mm (V) x 78mm (T)
Weights (Net)	6.4 kg (w/o power adapter)
Mounting	Optional Stand, VESA 75x75 / 100x100
Certification	CE: EN 60601-1-2:2015 (V4.0), EN 60601-1:2006/A1:2013 (V3.1) VCCI: 2016-11, Class B (PSU with PSE) FCC: Part 18 Class B, ISO 14971



Major Options

Options	1. AG film
Customization	1. DICOM compatible to DICOM Part 14

Order Information

Item	Configuration
WMD-223	21.5" Full flat projective capacitive touch medical grade monitor



- ① USB
- ② DVI-D
- ③ HDMI x 1
- ④ DP x 1
- ⑤ Line in x 1
- ⑥ DC in
- ⑦ Equipotential terminal pin

