



Features

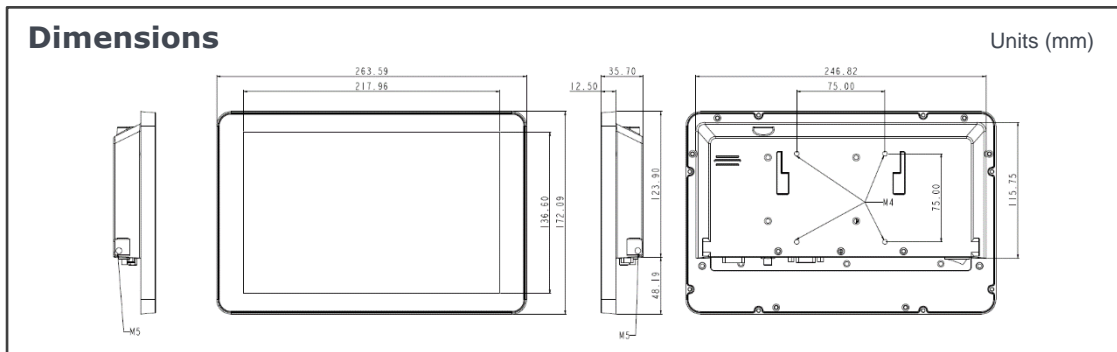
- Four Cores Intel® N3350 Processor
- Industrial HMI Office Level EMC class B Certified
- Medical Grade UL/MDR Certification By Request
- Door Display with PoE for Customization
- Equipped with Power Button for User Friendly
- Fanless Type under 0~50°C Operation Temp.
- Compact Size Ideally for Limited Space Installation

Specification

Product	WMP-105	
Main System	CPU	Intel® Celeron® N3350 Processor, 1.1GHz (up to 2.4G Hz)
	Graphic	Intel® Integrated HD Graphics 500
	Memory	2 x DDR3L SO-DIMM sockets, Max. Capacity 8 GB
	OS Support	Optional: Windows 10 IoT 2019 LTSC (64bit)
Display	Size	10.1"
	Resolution (pixel)	1280 x 800
	Number of Colors	16.7M Colors
	View Angle (H/V)	170(H) / 170(V)
	Brightness(cd/m ² , nit)	400 nits
	Contrast Ratio	800:1 (Typ)
Touch Panel	Type	Chassis Projective Capacitive Touch Panel
	Light Transmission	90 ± 3%
	Lifetime	3,500,000 Times
Storage & Expansion	Storage	M.2 M-key 2242 SSD, (SATA 6Gb/s)
	Expansion	1 x Mini-PCIe slot, Full Card Size, Signal (Support PCIe1, USB2.0)
I/O Ports	USB	2 x USB 3.0
	COM	1 x RS232/422/485 (default is RS232, RS422 and RS485 are by manually change jumper setting on mother board)
	LAN	2 x RJ-45, Gigabit Ethernet
	Audio	Line Out, 1 x 3.5mm Phone Jack, 1 x 1.5W Speaker
	Video (output)	1 x HDMI 1.4 / VGA 1 x D-sub
	Control Keys	Rear Bottom: Power on /off, ATX Switch
Power	Power Input	9~36 VDC-in x 1
	Power Adapter	External, 63 Watts, Universal 100 ~240V AC in, 12V DC Out
	Power Consumption	25W(12V)
Environmental	Temperature	Operating Temperature: 12V DC Input 0~50°C (IEC60068-2-78) Storage Temperature: -20~60°C
	Humidity	Operating & Storage: 10 ~ 90%, non-condensing
	Water/Dust resistance	Front IP65
Mechanical Characteristics	Housing	Silver Bezel / Black Cover
	Dimensions (Net: mm)	263.3 (H) x 171 (V) x 35.7 (T)
	Weights (Net: kg)	1.27 Kg
	Mounting	Chassis, VESA 75x75
Certification	CE/ FCC/ VCCI Class B, Canada ICES-003, CE-EMC EN60601-1-2 (V4.0)	

WMP-105

Medical AIO Fanless Panel PC



Major Options	
Options	<ol style="list-style-type: none"> 1. 802.11 ac/a/b/g/n WLAN + Bluetooth Module (not coexist with PoE) (802.11 ac/a/b/g/n WLAN antenna at top, bluetooth 5.0 antenna at I/O side) 2. TPM 2.0 by module (not coexist with PoE) 3. Ethernet RJ45 male to female right angle adapter x 2 4. Operation system: Windows 10 IoT 2019 LTSC (64bit) 5. 128G M.2 SSD storage 6. 8G RAM module
Customization	<ol style="list-style-type: none"> 1. Webcam 2. RFID 3. COM x 2 (total) 4. Panel mount kit 5. White rear cover 6. PoE function follows IEEE802.3at (30 Watt), supports wake on LAN function (not coexist with wireless, COM port, remove AC-DC power adapter and DC input connector) 7. In wall mount bracket 8. 3G/4G module 9. Car ignition power control

Order Information

Item	Touch	Description
WMP-105	Chassis P-Cap.Touch	10.1" N4200 1.1GHz, DDR3L 4G RAM, 64G SSD
WMP-105	Chassis P-Cap.Touch	10.1" N3350 1.1GHz, DDR3L 4G RAM, 64G SSD

I/O ports (Standard type)



- | | |
|------------|----------------|
| ① COM | ⑤ USB 3.0 x 2 |
| ② DC-in | ⑥ LAN x 2 |
| ③ VGA out | ⑦ Line out |
| ④ HDMI out | ⑧ Power switch |

