

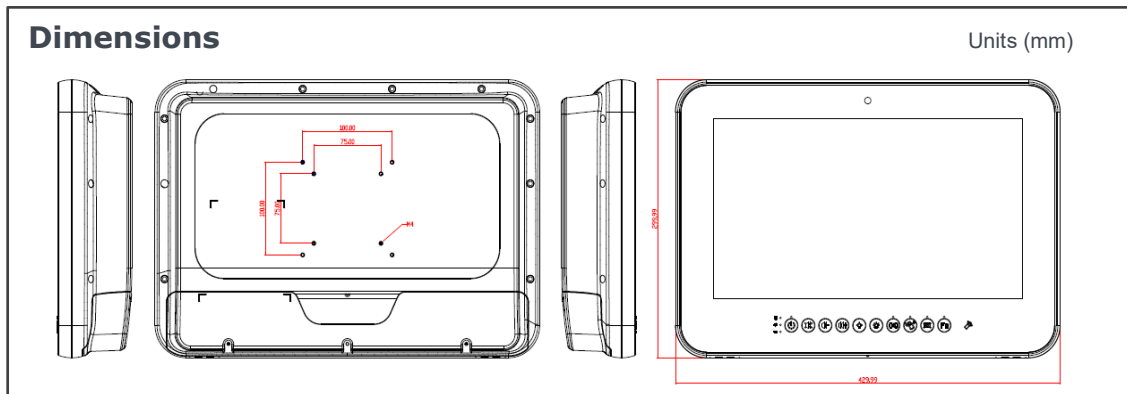


Features

- Intel® J3455 Medical Panel PC
- 15.6" 1366x768 LCD panel
- Highest Medical EMC 4.0/ Safety 3.1 Certification Ready
- Anti-Bacteria (MRSA) Plastic Housing
- Friendly Design of Front Function Hot-Keys
- One M.2 E Key Support WLAN Solution
- Optional PCI-E x1 Riser Card
- Optional Full HD panel

Specification

Model	WMP-155 (STD)	WMP-155 (ISO)
CPU / Chipset	Intel® Apollo Lake SoC Processor J3455, 1.50 GHz, 10W	
Graphic	Intel® integrated HD 500 Graphics	
RAM	Single channel support 1867MHz DDR3L SODIMM socket, up to 8GB	
OS Support	Windows 10 IoT Enterprise LTSC	
Storage	M.2 Type SATA III SSD 2280 slot interface x 1 2.5" drive bay support SATA3 HDD/SSD	
Expansion	1 x M.2 (E key, 2230), 1 x PCIe (x1), 1 x Mini-PCIe 52 pin card-edge type	
Display Size	15.6" LCD	
Display	1366 x 768 (HD), 16.7M colors, 170(H) / 160(V), 400 nits (Typ. Center point), CR:500 : 1 (Typ.), Customized 1920 x 1080 (FHD), 16.7M colors, 160 (H) /140(V), 400 nits (Typ. Center point), CR: 700:1 (Typ.)	
Touch Screen	Projected Capacitive Multi-Touch Panel / Light Transmission: $\geq 84\%$ / Hardness: 7H pencil, pressure 765g/45° / Life: 50000	
USB	2 x USB3.0, 2 x USB2.0	2 x USB3.0, 2 x USB2.0, 1 x ISO USB2.0
COM	1 x RS232/422/485, 1 x RS232	1 x RS-232, 1 x RS232/RS422/RS485, 1 x ISO RS-232, 1 x ISO RS232/RS422/RS485
LAN	2 x RJ45	2 x RJ45, 1 x ISO LAN
Audio/ Video	2 x 3.5mm phone jack connector (Line-out, Mic-In) / 2 x DP	
Control Hot Key (L to R)	Power Button// Mute// Audio adjustment+/- // Brightness+/-// LCD on/off // Clean me // Dis- webcam // Function key	
Cooling	Fanless	
Power Adapter	AC input 100~264V / 47 ~ 63 Hz / DC output 12V, 100W	
Temperature	Operating Temperature: 0~40°C (Burn-In not Airtight) / Storage Temperature: -20~60°C	
Humidity	Operating & Storage: 10 ~ 90%, non-condensing	
IP Rating / Housing	Front Side IP65, IPx1 for whole system / Plastic White w/Anti-bacteria (MRSA) Housing	
Dimensions (Net)	430mm (H) x 300mm (V) x 83mm (T)	
Weights (Net)	5.2 kg (w/o power adapter)	
Mounting	Optional Stand, VESA 75/100	
Certification	EMC: FCC Part 18 Class B, VCCI Class B (PSU w/PSE) CE: EN60601 ~ 1-2: 2015(V4.0) MDD: EN60601-1: 2006/A1:2013(V3.1) CUL: CAN/CSA-C22.2 No.60601-1:2014(V3.1), ISO14971/ IEC62133	



Major Options

Add On Parts	<ol style="list-style-type: none"> 1. WLAN + Bluetooth 2. 5M pixel auto focus webcam module (Can't exist with light sensor) 3. Battery pack 4. PCI-E x1 riser card (Can't exist with ISO module) 5. Capture card 6. 2.5" HDD/SSD kit 7. Equipotential terminal pin 8. RFID (13.56MHz) 9. AG film 10. TPM v2.0 module 11. 5V1A power jack 12. COM 3,4 / USB5.6 13. Light sensor for LCD auto brightness (Can't exist with webcam)
Add On Cable	1. Power adapter w/2m DC Extension Cable
Optional kits	<ol style="list-style-type: none"> 1. Anti-bacteria Stand, VESA 75/100 2. Power Plug Holder
Customization	<ol style="list-style-type: none"> 1. Tempered Glass 2. 15.6" Full HD (1920 x 1080) Diagnostic Panel

Order Information

Item	Configuration
WMP-155 – CP0A	J3455 / 4G RAM / M.2 128G SSD / Full flat P.cap touch
WMP-155 – CP0B	J3455 / 4G RAM / M.2 128G SSD / Full flat P.cap touch / ISO
WMP-155 – CP0A	J3455 / 4G RAM / M.2 128G SSD / Full flat P.cap touch / COM x 4, USB x 6

STD IO Parts



- | | |
|-----------------|------------------------|
| ① RS232/422/485 | ⑥ USB 3.0 x 2, 2.0 x 2 |
| ② RS232 | ⑦ DP x 2 |
| ③ Line-out | ⑧ Reset |
| ④ Microphone-in | ⑨ DC-in |
| ⑤ LAN x 2 | ⑩ PCI-E expansion |