

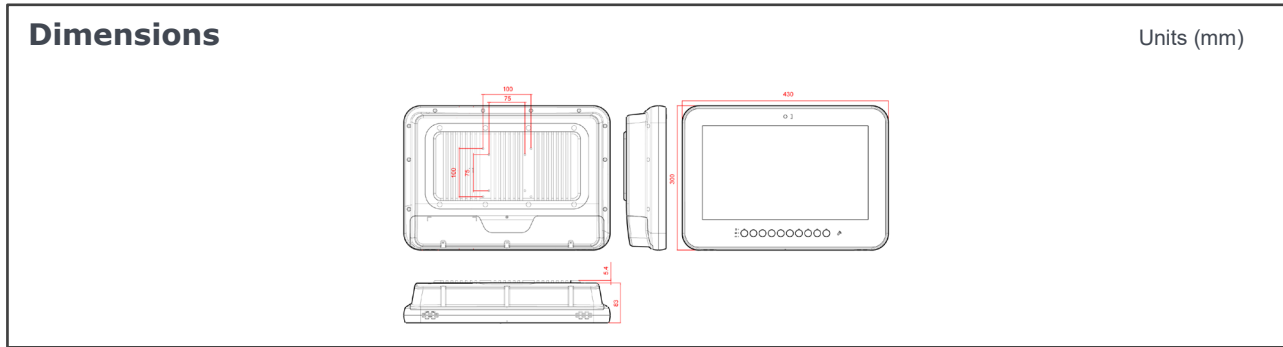


Specification

Features

- Powerful Intel® Whiskey Lake Core i CPU
- Medical Latest 60601-1 & 60601-1-2 Certifications
- 15.6" Wide LCD Panel w/ P-Cap Multi-Touch
- Optional 500 nits FHD (1920 X 1080) Panel
- Optional Built-In UPS Battery Pack
- Fanless Design with Reliable Thermal Solution
- Dual storage with M.2 SSD & 2.5" Drive
- Hospital White Plastic Housing with Anti-bacteria Treatment
- 4KV Isolated I/O Kit and More Options for Diversified Applications
- Support PCIe4 Expansion Slot

Model	WMP 15J IP0A (STD)	WMP 15J IP0B (ISO)
CPU / Chipset	FCBGA1528 8 th generation Intel® Core i7/i5 processor (15W Max.) Optional Vpro by Core i7/i5 CPU/ SoC	
Graphic	Intel® integrated UHD Graphics 620	
RAM	Two DDR4 Dual-2400MHz RAM, non-ECC, x2 SO-DIMM socket, up to 64GB	
OS Support	Optional Win 10 IoT Enterprise LTSC	
Storage	2.5" SATA3 SSD/HDD / M.2 SSD (M Key 2242/2260/2280) PCIe x4 & SATA3	
Expansion	1 x PCIe4, 1 x M.2 E Key Optional Network Interface: 802.11 ac/a/b/g/n WLAN + Bluetooth Module	
Display Size	15.6" wide TFT-Color LCD (16:9)	
Display	1366 x 768, 16.7M colors, 170(H) / 160(V), 400 nits, CR:500 : 1 (Typ) Option: 1920 x 1080, 16.7 M colors, 178(H) / 178(V), 500 nits, CR:1000 : 1 (Typ)	
Touch Screen	Full Flat P-cap Touch Panel / Light Transmission: ≥ 84% / Hardness: 7H pencil, pressure 765g/45° / Life: 50000 times	
USB	4 x USB3.1 gen. II	4 x USB3.1 gen. II, 1 x ISO USB2.0
COM	1 x RS232/422/485, 1 x RS232	1 x RS232/422/485, 1 x RS232, 1 x ISO RS232/RS422/RS485, 1 x ISO RS-232,
LAN	2 x RJ45	2 x RJ45, 1 x ISO RJ45
Audio/ Video	2 x 3.5mm phone jack connector (Line-out, Mic-In) / 1 x DP1.2, 1 x HDMI 4.1	
Speakers & Microphone	2x 2-watt Speakers & Integrated Microphone (at Housing Bottom Side)	
User Control Key	Power Button, Mute, Volume adjustment (-), Volume adjustment (+), Brightness (-), Brightness (+), LCD on/off, Clean me, Disable-webcam, Programmable functional key	
Cooling	Fanless Design with External Heatsink	
Power Input	DC-In x 1, DC 12~24V input	
Power Adapter	AC input 100~240V / 47 ~ 63 Hz / DC output 12V, 100W	
Temperature	Operating Temperature: 0~40°C (chamber) / Storage Temperature: -20~60°C	
Humidity	Operating & Storage: 10 ~ 90%, non-condensing	
IP Rating / Housing	IP65 (Front Side), IPx1 whole system / Front: Full flat design/ Touch (standard)/ Glass (customized); Rear: Plastic White w/Anti-bacteria (MRSA) Housing	
Dimensions (Net)	430mm (H) x 300mm (V) x 88.4mm (T)	
Weights (Net)	5 kg (w/o power adapter/battery pack)	
Mounting	Optional Stand, VESA 75/ 100	
Certification	CE: EN 60601-1-2:2015(V4.0) EN 60601-1:2006 + A11: 2011 + A1: 2013 + A12: 2014 Compliance / VCCI: 2016-11, Class B (PSU with PSE /Battery not include PSE) / FCC: Part 18 Class B / UL: ANSI/AAMI EN60601-1:2012 (V3.1) / cUL: CAN/CSA-C22.2 No. EN60601-1:2014 (V3.1) / ISO 14971 / IEC62133	

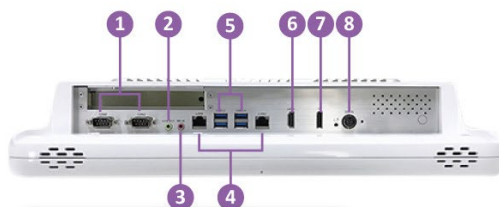


Major Options & Customization	
Options	<ul style="list-style-type: none"> ① Wifi 802.11 ac/a/b/g/n WLAN + Bluetooth module ② Wifi 802.11 ax/a/b/g/n WLAN + Bluetooth module (Wifi-6) ③ 5MP Auto Focus Webcam ④ RFID reader (13.56MHz) ⑤ TPM 2.0 (Trusted Platform Module) ⑥ 2.5" SSD module ⑦ M.2 SSD 2280 ⑧ UPS Battery pack (100W max.) ⑨ 5V1A power Jack (for IP0A Standard Type) ⑩ Add On 2 x COM ⑪ Add On 2 x USB ⑫ Equipotential Terminal Pin ⑬ AG Film (for Anti-Reflection) ⑭ PCIe4 riser card ⑮ Full HD capture card ⑯ DC-DC extension cable (2 meter) ⑰ FHD panel (not include UL/MDR report) (optional order configuration) ⑱ I/O cover (for better cables management) ⑲ White color metal desktop stand with antibacterial treatment ⑳ AC DC Power adapter 18V 100W
Customization	<ul style="list-style-type: none"> ① Tempered glass ② Touch panel with anti-glare coating ③ COM ports support 5V1A output ④ COM5,6 (New I/O bracket, remove USB5,6) ⑤ Light sensor for LCD auto-brightness control (can't co-exist with webcam) ⑥ GPIO

Order Information

Item	Configuration
WMP-15J – IP0A	Core i5-8265U 1.60GHz/ 4G RAM/ M.2 128G SSD/ Full flat P-cap touch/ STD
WMP-15J – IP0A	Core i7-8565U 1.80GHz/ 4G RAM/ M.2 128G SSD/ Full flat P-cap touch/ STD
WMP-15J – IP0B	Core i5-8265U 1.60GHz/ 4G RAM/ M.2 128G SSD/ Full flat P-cap touch/ISO
WMP-15J – IP0D	Core i5-8265U 1.60GHz/ 4G RAM/ M.2 128G SSD/ Full flat P-cap touch/ STD/ FHD Panel

I/O ports (Standard type)



- ① COM x 2
- ② Line-out
- ③ Microphone-in
- ④ LAN x 2
- ⑤ USB 3.1 x 4
- ⑥ HDMI x 1
- ⑦ DP x 1
- ⑧ DC-in

