

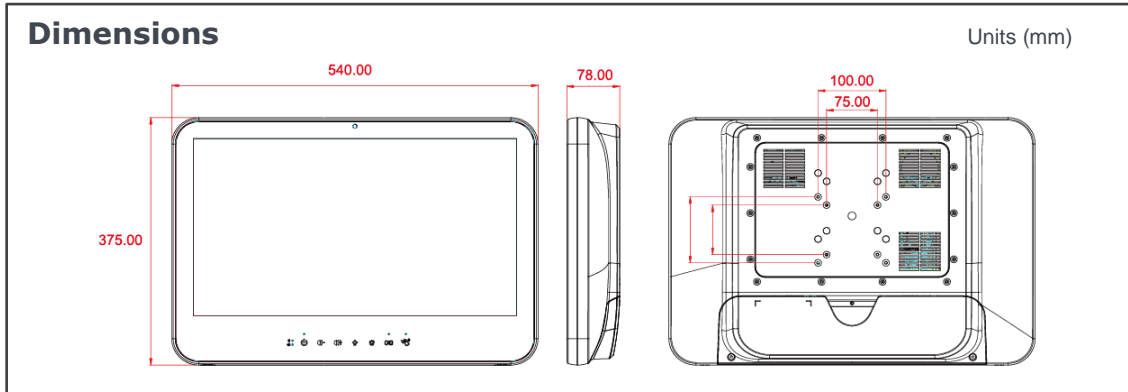


Features

- Intel® Skylake/Kaby Lake i7/i5 Medical Panel PC
- 21.5" FHD 1920x1080 LCD panel
- Highest Level EMC 4.0/ Safety 3.1 Ready
- Support Intel® vPro by Optional i7/i5 CPU
- Anti-Bacteria Plastic Housing
- Support RAID 0,1
- Optional PCI-E x16 Expansion Slot
- Optional Built-In Battery Pack
- Optional DICOM Part 14 Compliance Module

Specification

Model	WMP 22F IP0A (STD)	WMP 22F IP0B (ISO)
CPU / Chipset	LGA1151 package 6th/7th generation Intel® Core i7/i5/i3/Celeron processor (35W max.)	
Graphic	Intel® integrated HD Graphics 530	
RAM	Two 2400 MHz DDR4 SODIMM socket support dual Channel, non-ECC, up to 32GB	
OS Support	Windows 7 embedded, Windows 7 pro, Windows 8 embedded, Windows 8 industrial, Windows 10 IoT Enterprise LTSC	
Storage	2.5" SATA HDD drive bay x 1 ,mSATA via mini PCI-E x 1	
Expansion	PCI-E (x16) x1, Mini PCIe x2	
Display Size	21.5" wide TFT-Color LCD (16:9)	
Display	1920 x 1080 (Full HD), 16.7M colors (RGB 8-bits), 170(H) / 160(V), 250 nits (Typ. Center point), CR:1000 : 1 (Typ)	
Touch Screen	Projected Capacitive Multi-Touch Panel / Light Transmission: ≥84% / Hardness: ≥7H pencil, pressure 765g/45° / Life: 50000 hrs	
USB	USB3.0 x 4	USB3.0 X 4, ISO USB2.0 X 1
COM	RS232/RS422/RS485 X 1 RS-232 x 1,	RS232/RS422/RS485 X 1, RS-232 x 1, ISO RS232/RS422/RS485 X 1, ISO RS-232 x 1
LAN	RJ45 X 2	RJ45 X 2, ISO RJ45 x 1
Audio/ Video	3.5mm phone jack connector * 2 (Line-out, Mic-In)/ DP x 1, DVI x 1	
Control Hot Key (R to L)	Power Button// Audio adjustment // brightness // LCD on/off // Clean me	
Cooling	Smart Fan	
Power Input	DC-In x 1, DC 7~32V input (9~28V with battery pack)	
Power Adapter	AC input 100~240V / 47 ~ 63 Hz / DC output 24V, 180W	
Temperature	Operating Temperature: 0~40°C (chamber) / Storage Temperature: -20~60°C	
Humidity	Operating & Storage:10 ~ 90%, non-condensing	
IP Rating / Housing	IP65 (Front Side) / Front: Full flat design/ Touch (standard)/ Glass(customized); Rear: Plastic White w/Anti-bacteria (MRSA), Housing	
Dimensions (Net)	540.0mm (H) x 375mm (V) x 78mm (T)	
Weights (Net)	7.8 kg (w/o power adapter)	
Mounting	Optional Stand, VESA 75/ 100	
Certification	CE: EN IEC 60601-1-2:2015/A1:2021(Ed 4.1), EN 60601-1:2006 + A11: 2011 + A1: 2013 + A12: 2014 Compliance VCCI: 2016-11, Class B (PSU with PSE) FCC: Part 18 Class B + Part 15 Subpart B:2021 / ICES-003 Issue 7:2020, Class B UL: ANSI/AAMI ES60601-1:2012 (V3.1) /cUL: CAN/CSA-C22.2 No. 60601-1:2014 (V3.1) ISO 14971 / IEC62133	

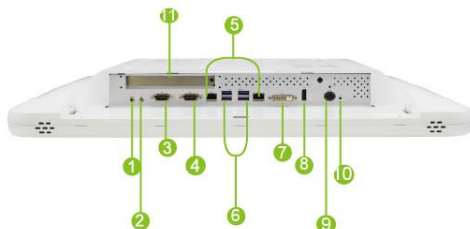


Major Options	
Add On Parts	<ol style="list-style-type: none"> 3M Webcam (USB), TPM 2.0 module, Wireless or Wireless + BT kit, RFID (13.56MHz), AG Film (Can't exist with DICOM module) PCI-E [x16] riser card, Equipotential Terminal Pin, 2.5" SSD, Battery pack (100W max.) Support add-on card 18W max, mSATA module, Full HD Capture Card, 4KV Isolation Card x 1 (Isolation COM x 2, Isolation LAN x 1, Isolation USB x 1), DICOM Part 14 Compliance Module
Power Cable	<ol style="list-style-type: none"> Power adapter w/ 2m DC Extension Cable, Power plug holder, Microphone on I/O cover
Optional kits	<ol style="list-style-type: none"> Anti-bacteria Stand, VESA Wall Mount
Customized	<ol style="list-style-type: none"> Temper Glass; Extra USB x 2 or COM x 2

Order Information

Item	Configuration
WMP-22F-IP0A-i5	Core i5-6500TE 2.3GHz / 4G RAM / 500G HDD / Full flat P.cap touch / STD I.O.
WMP-22F-IP0A-i7	Core i7-6700TE 2.4GHz / 4G RAM / 500G HDD / Full flat P.cap touch / STD I.O.
WMP-22F-IP0B-i5	Core i5-6500TE 2.3GHz / 4G RAM / 500G HDD / Full flat P.cap touch / ISO
WMP-22F-IP0B-i7	Core i7-6700TE 2.4GHz / 4G RAM / 500G HDD / Full flat P.cap touch / ISO

STD IO Parts



- | | |
|-----------------|-------------------------|
| ① Line-out | ⑦ DVI-D |
| ② Microphone-in | ⑧ DP x 1 |
| ③ RS232/422/485 | ⑨ DC-in |
| ④ RS232 | ⑩ Reset |
| ⑤ LAN x 2 | ⑪ PCI-E [x16] expansion |
| ⑥ USB3.0 x 4 | |

