

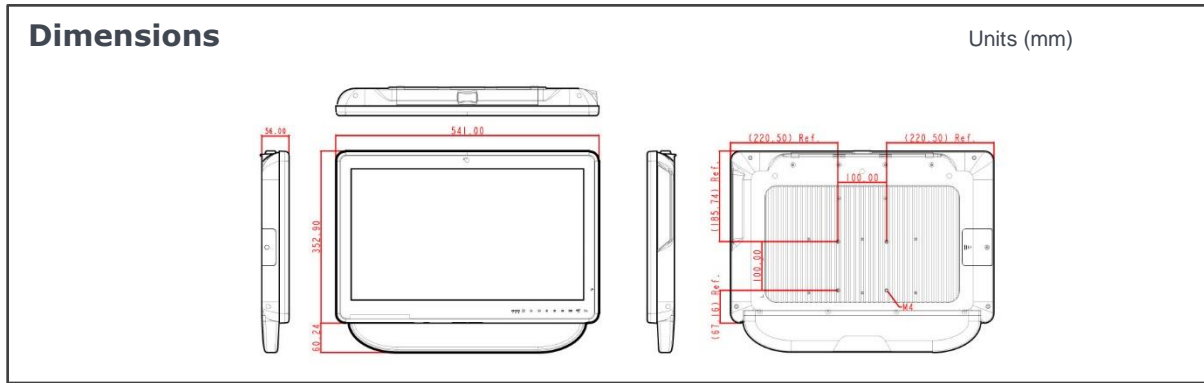


### Features

- Mobile Intel® Alder Lake U Core i CPU
- The newest regulation EN 60601-1: 2006/A2:2021; IEC 60601-1:2005, IEC 60601-1:2005/AMD1:2012, IEC 60601-1:2005/AMD2:2020
- 21.5" FHD AHVA Diagnostic Panel w/ P-Cap Multi-Touch
- Optional Hot-Swappable Batteries X3; IP54 rear cover batteries x 1
- Optional IP54 Rear w/Full Sealed Upside Housing Sku
- Fanless Design with Reliable Thermal Solution
- Dual storage M.2 SSD & 2.5" drive (w/ doggy door)
- Hospital White Plastic Housing w/ Anti-bacteria Treatment
- 4KV Isolated I/O kit, More Options for Diversified Applications
- Support PCIe4 Expansion Slot

### Specification

| Model                    | WMP 22P IP0A (STD)  | WMP 22P IP0P (IP54)           | WMP 22P IP0B (ISO)  |
|--------------------------|---|-------------------------------|---|
| CPU / Chipset            | FCBGA1744 Intel® 12 <sup>th</sup> Gen. Core i7/i5/i3 & Celeron Processor (15W Max.) / SoC Support Vpro by Core i7/i5 CPU  |                               |   |
| Graphic                  | Intel® Iris Xe Graphics (i7/i5 CPU) / Intel® UHD Graphics (i3 CPU)  |                               |   |
| RAM                      | Two 4800 MHz DDR5 SODIMM Socket Support Dual Channel, non-ECC, up to 64GB   |                               |   |
| OS Support               | Optional Win 10 IoT Enterprise LTSC, Win 11 IoT Enterprise GAC  |                               |   |
| Storage                  | 1 x M.2 (M Key 2280) with PCIe4 for SSD, Standard rear cover: 2.5" SATA3 HDD/SSD drive bay x 1 with doggy door, IP54 rear cover: 2.5" SATA3 HDD/SSD drive bay x 1   |                               |   |
| Expansion                | 1 x PCIe4 (25W max.), 1 x M.2 E Key   |                               |   |
| Display Size             | 21.5" wide TFT-Color LCD (16:9)   |                               |   |
| Display                  | 1920 x 1080 (Full HD), 16.7M colors (True 8 bit), 178(H) / 178(V), 250 nits (Typ. Center point), CR:1000: 1 (Typ)   |                               |   |
| Touch Screen             | Projected Capacitive Multi-Touch Panel / Light Transmission: ≥ 87% / Hardness: 7H pencil, pressure 750g/45° / Life: 50000   |                               |   |
| USB                      | 4 x USB3.2 gen II   |                               | 4 x USB3.2 gen II, 1 x ISO USB2.0                                 |
| COM                      | 1 x RS232/RS422/RS485<br>1 x RS-232   |                               | 1 x ISO RS232/RS422/RS485<br>1 x ISO RS-232                       |
| LAN                      | 2 x RJ45 (1 x 1.0 Gbps, 1 x 2.5 Gbps)   |                               | 2 x RJ45 (1 x 1.0 Gbps, 1 x 2.5 Gbps),<br>1 x ISO RJ45            |
| Audio/ Video             | 1 x Line-out & 1 x Microphone-in (3.5mm phone jack) / 1 x DP1.4a, 1 x HDMI2.0, 1 x HDMI (video-in)  |                               |   |
| Speakers & Mic.          | 2 x 2-watt Speakers & Integrated Microphone (at Housing Bottom Side)  |                               |   |
| Reading light            | 2 x Light Bar (at housing bottom side)  |                               |   |
| Control Hot Key (R to L) | Battery LED Indicator, Power On/Off, Volume +/-, Brightness +/-, Reading Light, LCD Backlight On/Off, Clean Me, Function Key  |                               |   |
| Cooling                  | Fanless Design with External Heatsink   |                               |   |
| Battery Pack             | Option 3xDR-202, Hot Swappable Battery  | Option 1 x DR-202 UPS Battery | Option 3xDR-202 Series, Lithium-ion Battery, Hot Swappable Design |
| Power Input              | DC-In x 1, DC 14-24V input  |                               |   |
| Power Adapter            | AC input 100~240V / 47 ~ 63 Hz / DC output 18V, 100W (Optional 180W)  |                               |   |
| Temperature              | Operating Temperature: 0~40°C (Burn-in, not airtight, w/ Battery 0~35°C) / Storage Temperature: -20~60°C  |                               |   |
| Humidity                 | Operating & Storage: 10 ~ 90%, non-condensing   |                               |   |
| IP Rating                | Front IP65, Rear IPx1   | Front IP65, Rear IP54         | Front IP65, Rear IPX1   |
| Housing                  | Front: Full flat design / Touch (standard)/ Glass (customized); Rear: Plastic White w/Anti-bacteria (MRSA) Housing  |                               |   |
| Dimensions (Net)         | 541.0mm (H) x 352.9mm (V) x 56.0mm (T)  |                               |   |
| Weights (Net)            | 7.0 kg (w/o power adapter/battery pack), 8.5 kg (w/ x3 battery pack & no power adaptor)   |                               |   |
| Mounting                 | VESA 100 x 100  |                               |   |
| Certification            | CE: EN IEC 60601-1-2:2015/A1:2021(Ed 4.1)<br>EN 60601-1: 2006/A2:2021; IEC 60601-1:2005, IEC 60601-1:2005/AMD1:2012, IEC 60601-1:2005/AMD2:2020<br>VCCI: 2016-11, Class B (PSU/Battery with PSE) / FCC: Part 18 Class B<br>UL: AAMI ES60601-1:2005/(R)2012 and A1:2012/(R)2012 and A2:2021 By Project<br>cUL: CAN/CSA-C22.2 No. 60601-1:14 By Project<br>ISO 14971 / IEC62133 |                               |   |



| Major Options & Customization |  |
|-------------------------------|--|
| Battery & Charger             | <ul style="list-style-type: none"> <li>① Battery Pack: 3xDR-202 Series, Hot-Swappable Battery, or 1 x DR-202 UPS Battery for IP54 Sku</li> <li>② Battery Charger Station: JW202W2 3-Slot w/200W Power Adaptor</li> </ul>   |
| Options                       | <ul style="list-style-type: none"> <li>① 802.11 ac/a/b/g/n WLAN + Bluetooth module</li> <li>② 802.11 ax/a/b/g/n WLAN + Bluetooth module (Wifi-6)</li> <li>③ Auto focus 5M pixel webcam module</li> <li>④ 2.5" Storage</li> <li>⑤ M.2 type 2280 module</li> <li>⑥ RFID (13.56MHz); RFID with single sign on</li> <li>⑦ TPM 2.0 module (SPI)</li> <li>⑧ Full HD capture card or 4K SC710N1 12G SDI capture card</li> <li>⑨ USB 2.0 x 2 at side (different rear housing)</li> <li>⑩ Smart card reader at side or CAC / PIV Reader (FIPS-201) (different rear housing)</li> <li>⑪ 5V1A power Jack (for Standard Type)</li> <li>⑫ Equipotential terminal pin</li> <li>⑬ AG film (Can't exist with DICOM)</li> <li>⑭ Light sensor for LCD auto brightness (Can't exist with webcam &amp; DICOM)</li> <li>⑮ DICOM part 14 compliance (optional order configuration) (Can't exist with Light sensor)</li> <li>⑯ Isolated 4KV module (optional order configuration)</li> <li>⑰ 30 Watt Power output card for external device</li> <li>⑱ USB 5/6 (USB 2.0 can't co-exist with side USB)</li> <li>⑲ Integrated hot-swappable batteries (DR-202 series)</li> <li>⑳ IP54 Rear Cover (optional order configuration)</li> </ul> |
| Customization                 | <ul style="list-style-type: none"> <li>① Tempered Glass</li> <li>② Touch Panel with Anti-glare Coating</li> <li>③ COM Ports Support 5V1A Output</li> </ul>   |

## Order Information

| Item                 | Configuration  |
|----------------------|--|
| WMP-22P-IP0A-i5      | Core i5-1235U 4.40GHz / DDR5 8G RAM / M.2 128G SSD / P.cap touch / Support Vpro        |
| WMP-22P-IP0A-i7      | Core i7-1255U 4.70GHz / DDR5 8G RAM / M.2 128G SSD / P.cap touch / Support Vpro        |
| WMP-22P-IP0A-i5UE    | Core i5-1245UE 4.40GHz / DDR5 8G RAM / M.2 128G SSD / P.cap touch / Support Vpro       |
| WMP-22P-IP0B-i5-ISO  | Core i5-1235U 4.40GHz / DDR5 8G RAM / M.2 128G SSD / P.cap touch / Support Vpro / ISO  |
| WMP-22P-IP0P-i5-IP54 | Core i5-1235U 4.40GHz / DDR5 8G RAM / M.2 128G SSD / P.cap touch / Support Vpro / IP54 |

## I/O ports



- ① PCI-E expansion
- ② Video-in
- ③ Line-out
- ④ Microphone-in
- ⑤ LAN x 2
- ⑥ USB3.2 gen II x 4
- ⑦ HDMI out x 1
- ⑧ DP x 1
- ⑨ Reset
- ⑩ DC-in
- ⑪ RS232/422/485
- ⑫ RS232

