



Features

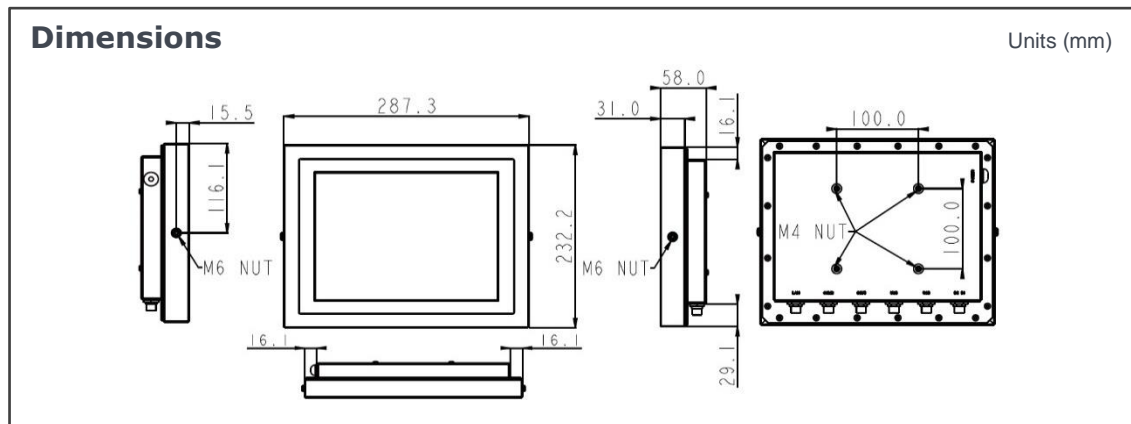
- 10" Intel® Celeron J1900 Fanless Stainless Panel PC
- IP66/69K Full Sealed with Anti-Corrosion Enclosure
- Optional IP67 M12 Stainless Connectors
- Optional Cable Gland for External I.O.
- Special Inspection of 100% Waterproof Guarantee
- Rich IO for Wide Usages
- CE, FCC, VCCI Class B Certified

Specification

Product		WTP-8B66-10
Main System	CPU	Intel® Celeron J1900 processor
	Graphic	Intel® Gen7 Graphics DX11
	Memory	Single Channel DDR3L 1600 MHz SDRAM Max 8GB
	OS Support	Win 7, Win 7 Pro, Win8.1, Win 10
Display	Size	10" 4:3
	Resolution (pixel)	800 x 600 (SVGA)
	Number of Colors	262K, LVDS 6 bits
	View Angle (H/V)	160(H) / 130(V)
	Brightness(cd/m ² , nit)	230 nits
	Contrast Ratio	500 : 1 (Typ)
Touch Panel	Type	Full flat resistive touch panel
	Light Transmission	80 ± 5%
	Hardness	4H
	Lifetime	35 million times
Storage & Expansion	Storage	64GB SSD x 1, SATA DOM: 2 nd SATA connector pin7 with VCC
	Expansion	Mini PCIe: 1(Half size) +1(full Size) shared with mSATA
I/O Ports	USB	1 x M12 8pin for USB 1/2, 1 x M12 8pin for USB 3/4
	COM	1 x M12 8pin for COM 1/RS-232/422/485 (Default RS-232) 1 x M12 8pin for COM 2/RS-232
	LAN	1 x M12 8pin for LAN
	DC in	1 x M12 5pin DC power connector
	Control Keys	Rear bottom: Power on /off
Power	Power input	DC 9V~36V
	Power adapter	AC100~240V/ 47 ~ 63 Hz / DC output 12V, IP67, 60W
	Power consumption	29.7W
Environmental	Temperature	Operating Temperature: 0~50°C (12V DC, air flow cooling) Storage Temperature: -20~60°C
	Humidity	Operating & Storage: 10 ~ 90%, non-condensing
	Water/Dust resistance	IP66 / NEMA4X / IP69K whole set
Mechanical Characteristics	Housing	Stainless steel (SUS304), chassis type
	Dimensions (Net: mm)	288 x 236 x 58
	Weights (Net: kg)	6.9kg
	Mounting	VESA 100/100, Side mount (M6*2)
Certification	CE/ FCC/ VCCI Class B, Canada ICES-003	

WTP-8B66-10

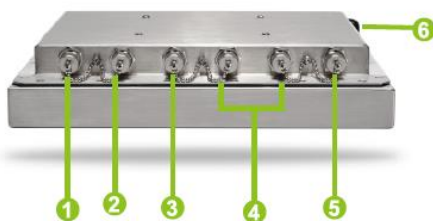
Stainless Steel Panel PC



Major Options	
Add on Parts	1. Wireless or Wireless and BT kit (2 ant), 2. Robust Antenna, 3. HDD (operation temp. 0~35°C) 4. Full flat PCT touch screen IP69K, 5. 2 x External LAN, 6. SUS316 enclosure, 7. IP67, 8. Cable Gland for External I.O.
Add on Cable	1. Waterproof COM cable x 1, 2. Waterproof USB cable x 1, 3. Waterproof LAN cable x1 4. Maximum length is 5.2 meters by 2x2m DC cables
Optional Kits	1. Wall mount/ Table mount bracket
Customization	1. Sunlight readable optical bonding, 2. COM + power 5V / 12V, 3. TPM Module , 4. 1000 nits high brightness LCD, 5. LCD auto dimming, 6. Super dimming, 7. Barcode reader , 8. XGA LCD panel, 9. USB 3.0

Order Information

Item	Cooling	Description
WTP-8B66-10	Fanless	10" J1900 / DDR3L 2GB RAM/ 64G SSD/ full flat R-touch



- ① Giga LAN
- ② USB 1/2
- ③ USB 3/4
- ④ COM x 2
- ⑤ DC-in
- ⑥ Power on/off

