



Features

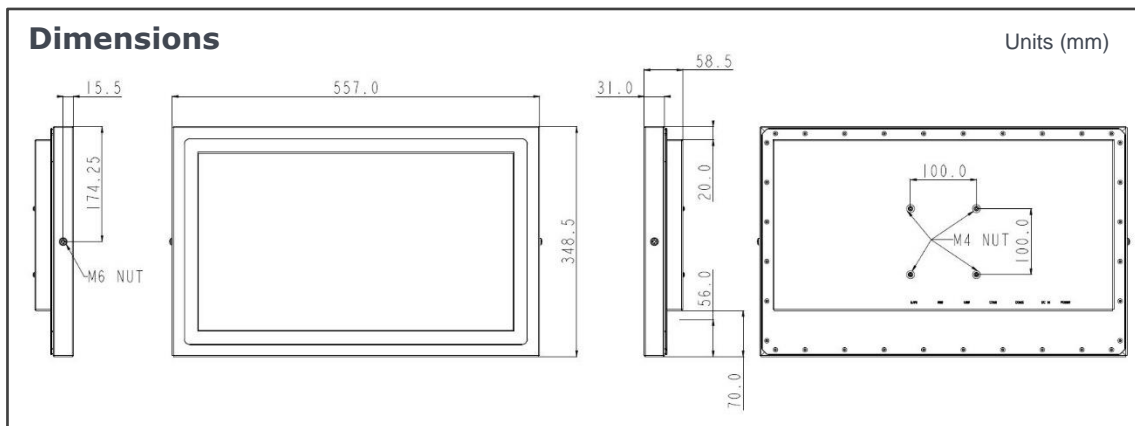
- 21.5" Intel® Celeron J1900 Fanless Stainless Panel PC
- Full Flat Resistive Touch (PCAP touch as option)
- IP66/69K Full Sealed with Anti-corrosion Enclosure
- Optional IP67 M12 Stainless Connectors
- Optional Cable Gland for External I.O.
- Screen Touch Lock Function
- CE, FCC, VCCI class B certified

Specification

Product		WTP-8B66-22
Main System	CPU	Intel® Celeron J1900 2.0 GHz quad-core processor
	Graphic	Intel® Graphics HD
	Memory	Two 1333 MHz DDR3L SODIMM socket support dual Channel, non-ECC, up to 8 GB
	OS Support	Win 7, Win 7 Pro, Win8.1, Win 10
Display	Size	21.5" 16:9
	Resolution (pixel)	1920 x 1080 (FHD)
	Number of Colors	16.7M colors (RGB 6-bit + Hi FRC)
	View Angle (H/V)	170(H) / 160(V)
	Brightness (nit)	250 nits
	Contrast Ratio	1000:1 (Typ)
Touch Panel	Type	Full flat resistive touch panel
	Light Transmission	80 ± 5%
	Hardness	4H
	Lifetime	490,000 hours
Storage & Expansion	Storage	2.5" SATA HDD
	Expansion	Mini PCIe x 2
I/O Ports	USB	1 x M12 8pin for USB 1/2, 1 x M12 8pin for USB 3/4
	COM	2 X M12 8pin/ RS-232
	LAN	1 x M12 8pin
	DC in	1 x M12 5pin DC power connector
	Control Keys	Rear bottom: Power on /off
Power	Power input	DC 7V~32V
	Power adapter	AC100~277V/ 47 ~ 63 Hz / DC output 12V, IP67, 60W
	Power consumption	40.2 W
Environmental	Temperature	Operating Temperature: 0~40°C (12V DC)
	Humidity	Operating & Storage: 10 ~ 90%, non-condensing
	Water/Dust resistance	IP66 / NEMA4X / IP69K whole set
Mechanical Characteristics	Housing	Stainless steel (SUS304), chassis type
	Dimensions (Net: mm)	557 x 348.5 x 58.5
	Weights (Net: kg))	12kg
	Mounting	VESA 100*100, Side mount (M6 x 2)
Certification	CE/ FCC/ VCCI Class B, Canada ICES-003	

WTP-8B66-22

Stainless Steel Panel PC



Major Options	
Add On Parts	1. Wireless or Wireless and BT kit (2 ant), 2. SSD, 3. Robust Antenna, 4. Waterproof USB 3.0, 5. Stainless M12 connector, 6. External LAN x 2, 7. Cable Gland for External I.O.
Add On Cable	1. Waterproof COM cable x 1, 2. Waterproof USB cable x 1, 3. Waterproof LAN cable x1 4. Maximum length is 5.2 meters by 2x2m DC cables
Optional kits	1. Wall mount / Table mount bracket
Customization	1. Sunlight readable optical bonding, 2. 1000 nit high brightness LCD, 3. LCD Auto dimming, 4. LCD Super dimming (low brightness), 5. 2W/5W Speaker, 6. IP67, 7. Second HD, 8. COM+Power 5V/12V, 9. SUS316 enclosure

Order Information

Item	Cooling	Description
WTP-8B66-22 (J1900)	Fanless	21.5" Celeron J1900/ 2G RAM/ 500G HDD/ Full flat R-touch



- ① Giga LAN
- ② USB 1/2
- ③ USB 3/4
- ④ COM x 2
- ⑤ DC-in
- ⑥ Power on/off

