

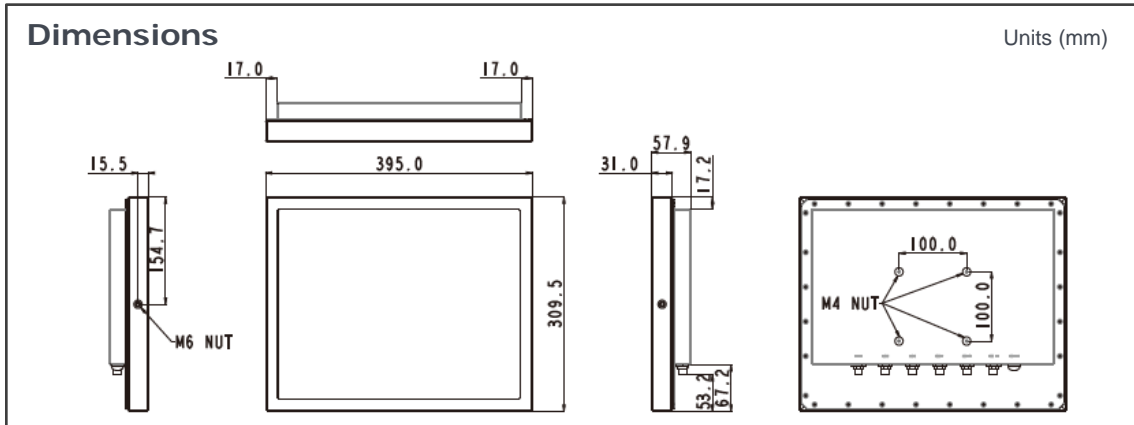


Features

- 15" Intel® Core i7/i5 Fanless Stainless Panel PC
- IP66/69K Full Sealed with Anti-Corrosion Enclosure
- M12 Stainless Connectors
- Special inspection of 100% Waterproof Guarantee
- CE, FCC, VCCI Class B Certified

Specification

Product		WTP-9A66-15
Main System	CPU	Intel® Broadwell core i7/ i5 processor
	Graphic	Intel® Graphics HD
	Memory	Two 1333/ 1600 MHz DDR3L SODIMM socket support dual Channel, non-ECC, up to 16GB
)V)Display	Size	15" 4:3
	Resolution (pixel)	1024 x 768 (XGA)
	Number of Colors	16.7M colors (RGB 6-bit + Hi FRC)
	View Angle (H/V)	160(H) / 160(V)
	Brightness(cd/m ² , nit)	450 nits
	Contrast Ratio	600 : 1 (Typ)
Touch Panel	Type	Full flat resistive touch panel
	Light Transmission	80 ± 5%
	Lifetime	490,000 times
Storage & Expansion	Storage	2.5" SATA HDD
	Expansion	Mini PCIe x 2
I/O Ports	USB	2 x M12 8pin
	COM	2 X M12 8pin/ RS-232
	LAN	1 x M12 8pin
	DC in	1 x M12 5pin DC power connector
	Control Keys	Rear bottom: Power on /off
Power	Power input	DC 7V~32V
	Power adapter	AC90~264V/ 47 ~ 63 Hz / DC output 12V
	Power consumption	45.8W
Environmental	Temperature	Operating Temperature: 0~40°C Storage Temperature: -20~60°C
	Humidity	Operating & Storage: -10 ~ 90%, non-condensing
	Water/Dust resistance	IP66 whole set
Mechanical Characteristics	Housing	Stainless steel (SUS304)
	Dimensions (Net: mm)	395 x 309.5 x 58
	Weights (Net: kg))	8.4kg
	Mounting	VESA 100*100
Certification	CE/ FCC/ VCCI Class B	



Major Options	
Add On Parts	1.Wireless or Wireless and BT kit (2 ant), 2.SSD, 3. Robust Antenna, 4.USB 3.0
Power Cable	1.Waterproof COM cable x 1, 2.Waterproof USB cable x 1, 3. Waterproof LAN cable x1 4. External LAN x 2
Optional kits	1.Wall mount/ Table mount bracket
Customized	1.sunlight readable optical bonding, 2.full flat PCT touch screen IP69K, 3.1000 nit high brightness LCD , 4.LCD Auto dimming, 5.LCD Super dimming (Low brightness) , 6.Speaker, 7.IP67, 8.Second HD, 9.Intel Core i7-6500U ,10.2 External LAN, 11.COM+power 5V or 12V, 12.SUS316 enclosure, 13.Barcode reader, 14.TPM

Order Information

Item	Cooling	Description
WTP-9A66-15 (i5)	Fanless	15" Core i5-3317U / DDR4 4G RAM/ 500G HDD/ full flat R-touch
WTP-9A66-15 (i7)	Fanless	15" Core i7-3517U / DDR4 4G RAM/ 500G HDD/ full flat R-touch



- ① Giga LAN
- ② USB 1/2
- ③ USB 3/4
- ④ COM x 2
- ⑤ DC-in
- ⑥ Power on/off

