



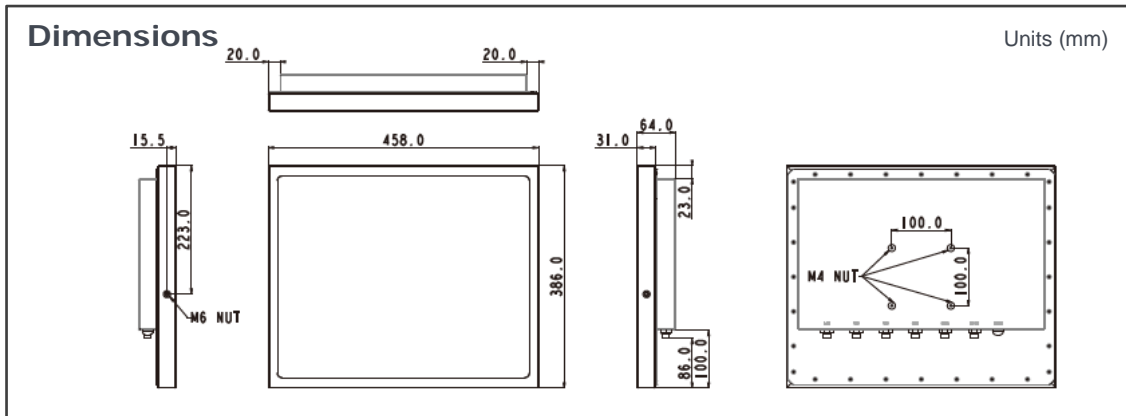
Features

- 19" Intel® Broadwell Fanless Stainless Panel PC
- IP66 Full Sealed with Anti-Corrosion Enclosure
- Support Intel® vPro technology by CPU
- IP67 M12 Stainless Connectors
- Wide Temp. -20~55°C Operation Capability
- Special Inspection of 100% Waterproof Guarantee

Specification

Product		WTP-9C66-19	WTP-9C66-19W
Main System	CPU	Intel® Broadwell core i7/ i5 processor	
	Graphic	Intel® Graphics HD	
	Memory	Two 1600 MHz DDR3L SODIMM socket support dual Channel, non-ECC, up to 16GB	
Display	Size	19" 4:3	
	Resolution (pixel)	1280 x 1024 (SXGA)	
	Number of Colors	16.7M colors (RGB 6-bit + Hi FRC)	
	View Angle (H/V)	170(H) / 160(V)	
	Brightness(cd/m ² , nit)	350 nits	
	Contrast Ratio	1000:1 (Typ)	
Touch Panel	Type	Full flat resistive touch panel	
	Light Transmission	80 ± 5%	
	Lifetime	490,000 times	
Storage & Expansion	Storage	2.5" SATA HDD	
	Expansion	Mini PCIe x 2	
I/O Ports	USB	2 x M12 8pin	
	COM	2 X M12 8pin/ RS-232	
	LAN	1 x M12 8pin	
	DC in	1 x M12 5pin DC power connector	
	Control Keys	Rear bottom: Power on /off	
Power	Power input	DC 7V~32V	
	Power adapter	AC90~264V/ 47 ~ 63 Hz / DC output 12V	
	Power consumption	51.2W	
Environmental	Temperature	Operating Temp. 0~35°C Storage Temp. -20~60°C	Operating Temp.0~35°C Storage Temp.: -20~60°C
	Humidity	Operating & Storage: -10 ~ 90%, non-condensing	
	Water/Dust resistance	IP66 whole set	
Mechanical Characteristics	Housing	Stainless steel (SUS304)	
	Dimensions (Net: mm)	458 x 386 x 64	
	Weights (Net: kg))	11.5kg	
	Mounting	VESA 100*100	
Certification	CE/ FCC/ VCCI Class B		

WTP-9C66-19(W)



Major Options

Add On Parts	1.Wireless or Wireless and BT kit (2 ant), 2.SSD, 3. Robust Antenna, 4.USB 3.0
Power Cable	1.Waterproof COM cable x 1, 2.Waterproof USB cable x 1, 3. Waterproof LAN cable x1 4. External LAN x 2
Optional kits	1.Wall mount/ Table mount bracket
Customized	1.sunlight readable optical bonding, 2.full flat PCT touch screen IP69K, 3.1000 nit high brightness LCD , 4.LCD Auto dimming, 5.LCD Super dimming (Low brightness) , 6.Speaker, 7.IP67, 8.Second HD, 9.Intel Core i7-6500U ,10.2 External LAN, 11.COM+power 5V or 12V, 12.SUS316 enclosure, 13.Barcode reader, 14.TPM

Order Information

Item	Cooling	Description
WTP-9C66-19(W) (i5)	Fanless	19" Core i5-5200U / DDR4 4G RAM/ 500G HDD/ full flat R-touch
WTP-9C66-19(W) (i7)	Fanless	19" Core i7-5500U / DDR4 4G RAM/ 500G HDD/ full flat R-touch



- 1 Giga LAN
- 2 USB 1/2
- 3 USB 3/4
- 4 COM x 2
- 5 DC-in
- 6 Power on/off

