

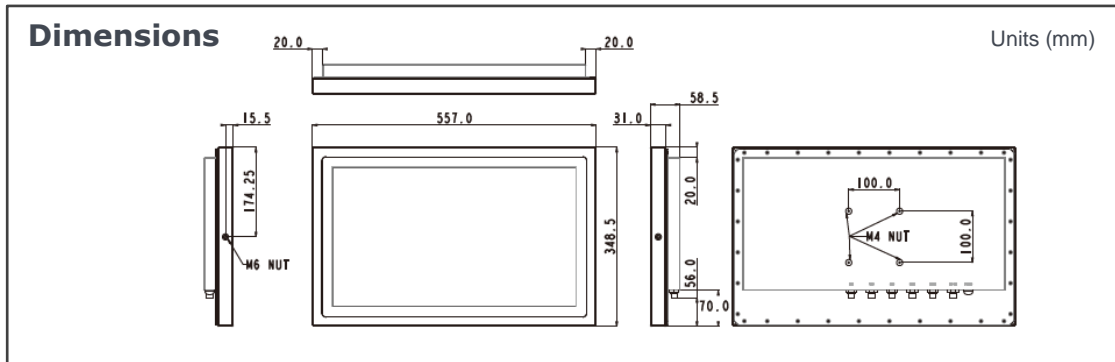


Features

- Intel® 12th Gen Core i5-1245UE Fanless Stainless Panel PC
- 21.5" 1000nits Sunlight Readable LCD
- IP66/69K Full Sealed with Anti-Corrosion Enclosure
- Wide Temp. -20~60°C Operation Capability
- Optional IP67 M12 Stainless Connectors
- Optional Floor Stand Solution
- 100% Waterproof Guarantee
- CE, FCC, VCCI Certified

Specification

Model		WTP-9H66-22W	
Main System	CPU	Intel® 12th Gen Alder Lake-P MCP Processors, 15 W	
	Graphic	Intel® Iris® Xe Graphics	
	Memory	Dual Channel DDR4 3200 MHz ,2 x 260 SO-DIMM, up to 64GB	
	TPM	TPM2.0 (On Board IC)	
	OS Support	Optional Windows 10 (64 bit) / Windows 11 (64 bit)	
Display	Size	21.5" 16:9	
	Resolution (pixel)	1920 x 1080 (Full HD)	
	Number of Colors	16.7M colors (RGB 6-bit + Hi-FRC data)	
	View Angle (H/V)	178(H) / 178(V)	
	Brightness (nit)	250 nits	
	Contrast Ratio	1000:1	
Touch Panel	Type	Full flat resistive touch screen	Full flat P-Cap touch screen
	Light Transmission	80 ± 5%	≥ 86%
	Hardness/ Lifetime	≥ 3H / 35M times	≥ 7H / 100M times
Storage & Expansion	Storage	1 x 2.5" SATA HDD drive bay (with anti-vibration mechanism) 1 x M.2 (Key M, 2242/2260/2280) with PCIe Gen4 x4 for SSD	
	Expansion	1 x M.2 (Key B, 3042/3052) with PCIe x1, USB3.2, USB2.0 and SIM for 4G/5G 1 x SIM socket connected to M.2 key B 1 x M.2 (Key E, 2230) with PCIe, USB2.0 and CNVi for Wireless	
I/O Ports	Configuration	STD. (M12 Connector)	
	USB	1 x M12 8pin for USB 2.0 1/2 1 x M12 8pin for USB 2.0 3/4 1 x USB 3.2 Gen2 (Type-C, Support DP1.4a display output, Power output 5V/3A)	
	COM	2 x M12 8pin for COM 1 & COM2 (RS-232/422/485)	
	LAN	1 x M12 8pin for LAN 1	
	DC in	1 x DC-In connector, DC 12~28V	
	Control Keys	Rear bottom: Power on /off; Brightness up / down	
Power	Power adapter	AC 100 ~ 277V / 47 ~ 63 Hz / DC output 24V, 5A, 120W, IP68	
	Power consumption	TBD W	
Environmental	Temperature	Operating Temperature 24V DC Input -20~60°C (IEC60068-2-56, air flow cooling, SSD) Storage Temperature -20~60°C	
	Humidity	Operating & Storage:10 ~ 90%, non-condensing	
	Water/Dust resistance	IP66 / NEMA4X / IP69K	
Mechanical Characteristics	Housing	SUS304 stainless steel enclosure, chassis type	
	Dimensions (net:mm)	557 x 348.5 x58.5	
	Weights (net: kg)	12 kg	
	Mounting	VESA 100 x 100, side mount (M6 x 2)	
Certification	CE (EMC), FCC-B, VCCI		



Major Options

Options	<ol style="list-style-type: none"> 1. Full flat PCT touch screen IP69K 2. IP67(STD M12 type) 3. Table mount bracket (For Type C / RFID) 4. M.2 SSD (128G) 5. Wireless or Wireless and BT kit (easy clean and Robust Antenna) 6. 2 External LAN (USBx2, LANx2, COMx1) 7. SUS316 enclosure 8. Waterproof Type C cable, cable length is 1 meter (male to male) 9. M12 (female) to M12 (male) DC power extension cable (2 meters length) 10. M12 (female) to stripped and tinned wires DC extension cable (1.2 meters length) 11. Barcode Reader (can't coexist with RFID) 12. RFID (can't coexist with Barcode reader) 13. Supports floor stand solution 14. 2nd storage for RAID 0,1 15. 3W Speaker (IP66) 16. Wall mount
Accessory	<ol style="list-style-type: none"> 1. Waterproof USB cable, cable length is 2 meters 2. Waterproof LAN cable, cable length is 2 meters 3. Waterproof COM cable, cable length is 2 meters 4. DC input cable
Customization	<ol style="list-style-type: none"> 1. Sunlight readable optical bonding 2. Roof for UV protection and sunlight readable 3. 1000 nit high brightness LCD 4. COM + Power 5V or 12V 5. Intel i3-1215UE, DC, 3.3GHz 6. Intel i7-1265UE, DC, 3.5GHz 7. WDT AP/API 8. Stainless M12 connector 9. Floor Stand Solution 10. Cable Gland Configuration

Order Information

Item	Cooling	Description
WTP-9H66-22W (i5)	Fanless	21.5" Core i5-1245UE 3.3 GHz / 4G RAM/ 512G SSD/ Full Flat R-touch
WTP-9H66-22W (i5)	Fanless	21.5" Core i5-1245UE 3.3 GHz / 4G RAM/ 512G SSD/ Full Flat P-cap touch

I/O ports

