



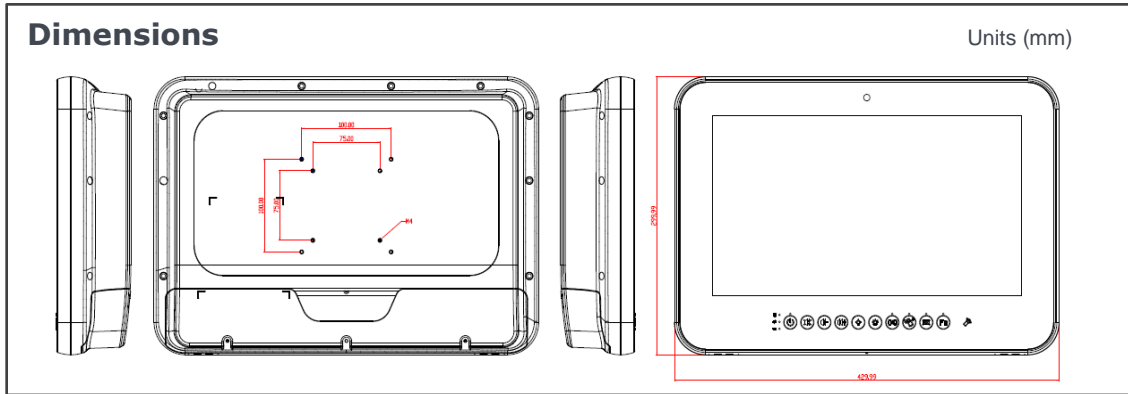
### Features

- Intel® J3455 Medical Panel PC
- 15.6" 1366x768 LCD panel
- Highest Medical EMC 4.0/ Safety 3.1 Certification Ready
- Anti-Bacteria (MRSA) Plastic Housing
- Friendly Design of Front Function Hot-Keys
- One M.2 E Key Support WLAN Solution
- Optional PCI-E x1 Riser Card
- Optional Full HD panel

### Specification

Model	WMP-155 (STD)	WMP-155 (ISO)
CPU / Chipset	Intel® Apollo Lake SoC Processor J3455, 1.50 GHz, 10W	
Graphic	Intel® integrated HD 500 Graphics	
RAM	Single channel support 1867MHz DDR3L SODIMM socket, up to 8GB	
OS Support	Windows 10 IoT Enterprise	
Storage	M.2 Type SATA III SSD 2280 slot interface x 1 2.5" drive bay support SATA3 HDD/SSD	
Expansion	1 x M.2 (E key, 2230), 1 x PCIe (x1), 1 x Mini-PCIe 52 pin card-edge type	
Display Size	15.6" LCD	
Display	1366 x 768 (HD), 16.7M colors, 170(H) / 160(V), 400 nits (Typ. Center point), CR:500 : 1 (Typ.), Customized 1920 x 1080 (FHD), 16.7M colors, 160 (H) /140(V), 400 nits (Typ. Center point), CR: 700:1 (Typ.)	
Touch Screen	Full Flat P-cap Touch Panel / Light Transmission: 90% ± 3% / Hardness: 7H pencil / Life: 100M times	
USB	2 x USB3.0, 2 x USB2.0	2 x USB3.0, 2 x USB2.0, 1 x ISO USB2.0
COM	1 x RS232/422/485, 1 x RS232	1 x RS-232, 1 x RS232/RS422/RS485, 1 x ISO RS-232, 1 x ISO RS232/RS422/RS485
LAN	2 x RJ45	2 x RJ45, 1 x ISO LAN
Audio/ Video	2 x 3.5mm phone jack connector (Line-out, Mic-In)/ 2 x DP	
Control Hot Key (L to R)	Power Button// Mute// Audio adjustment+// Brightness+// LCD on/off // Clean me // Dis- webcam // Function key	
Cooling	Fanless	
Power Adapter	AC input 100~264V / 47 ~ 63 Hz / DC output 12V, 100W	
Temperature	Operating Temperature: 0~40°C (Burn-In not Airtight) / Storage Temperature: -20~60°C	
Humidity	Operating & Storage:10 ~ 90%, non-condensing	
IP Rating / Housing	Front Side IP65, IPx1 for whole system / Plastic White w/Anti-bacteria (MRSA) Housing	
Dimensions (Net)	430mm (H) x 300mm (V) x 83mm (T)	
Weights (Net)	5.2 kg (w/o power adapter)	
Mounting	Optional Stand, VESA 75/100	
Certification	EMC: FCC Part 18 Class B, VCCI Class B (PSU w/PSE) CE: EN60601 ~ 1-2: 2015(V4.0) MDD: EN60601-1: 2006/A1:2013(V3.1) CUL: CAN/CSA-C22.2 No.60601-1:2014(V3.1), ISO14971/ IEC62133	

# WMP-155



## Major Options

Add On Parts	<ol style="list-style-type: none"> <li>1. WLAN + Bluetooth</li> <li>2. 5M pixel auto focus webcam module (Can't exist with light sensor)</li> <li>3. Battery pack</li> <li>4. PCI-E x1 riser card (Can't exist with ISO module)</li> <li>5. Capture card</li> <li>6. 2.5" HDD/SSD kit</li> <li>7. Equipotential terminal pin</li> <li>8. RFID (13.56MHz)</li> <li>9. AG film</li> <li>10. TPM v2.0 module</li> <li>11. 5V1A power jack</li> <li>12. COM 3,4 / USB5.6</li> <li>13. Light sensor for LCD auto brightness(Can't exist with webcam)</li> </ol>
Add On Cable	1. Power adapter w/2m DC Extension Cable
Optional kits	<ol style="list-style-type: none"> <li>1. Anti-bacteria Stand, VESA 75/100</li> <li>2. Power Plug Holder</li> </ol>
Customization	<ol style="list-style-type: none"> <li>1. Tempered Glass</li> <li>2. 15.6" Full HD (1920 x 1080) Diagnostic Panel</li> </ol>

## Order Information

Item	Configuration
WMP-155 – CP0A	J3455 / 4G RAM / M.2 64G SSD / Full flat P.cap touch
WMP-155 – CP0B	J3455 / 4G RAM / M.2 64G SSD / Full flat P.cap touch / ISO
WMP-155 – CP0A	J3455 / 4G RAM / M.2 64G SSD / Full flat P.cap touch / COM x 4, USB x 6

### STD IO Parts



- |                 |                        |
|-----------------|------------------------|
| 1 RS232/422/485 | 6 USB 3.0 x 2, 2.0 x 2 |
| 2 RS232         | 7 DP x 2               |
| 3 Line-out      | 8 Reset                |
| 4 Micropone-in  | 9 DC-in                |
| 5 LAN x 2       | 10 PCI-E expansion     |

